

V-shaped thermometer

Liquid expansion thermometers for temperatures from -60°C to 600°C. These instruments are very tough, easy to install and reliable. They resist extreme working conditions: vibrations, humidity, outdoors conditions, aggressive media like sea water or ammonia. Useful to control fluid temperature in pipes or tanks from ship engines, refrigeration systems, boilers, HVAC systems, etc.



STANDARD PARAMETERS

- Design: **DIN 16181/16182/16185/16186/16189/16190/16195**
- Structure: The glass insert is secured by an aluminum case where the temperature range is printed. The metallic stem is fixed into the system by male or female thread or Bolt.
- Case dimension (H): **110, 150 or 200mm**
- Mounting: See attached diagrams **A, B or C**
- Connection system: **Male or female thread or bolt**
- Threads: **Standard BSP, metrics or NPT**
- Stem length (L), including thread: **25-500mm**
- Stem diameter (Ø) : 10mm (optional 8mm)
- Range: Aluminium case: **-60...0...600°C / Polyamide case: -60...0...200°C**
- Scale: **°C printed on the right side of the case or double scale °C/°F**

MATERIALS

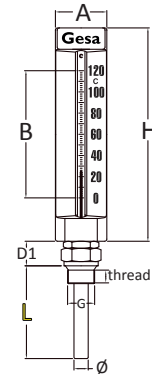
- Case: **Anodized aluminium gold or silver coloured / polyamide**
- Insert: Prismatic glass with white strip for T<450°C and Round glass with yellow back for T>450°C
- Thread and Stem: **Brass, Steel, Stainless steel AISI 304, AISI 316 or 316L**
- Thermometric liquid: **Blue or red alcohol for T<200°C / Mercury for T>200°C**

Mounting	DIMENSIONS(mm)							WEIGHT (g)	DIN
	H	A	B	C	D1	D2	Ø		
Straight	110	36	60	17	20	-	10	230	DIN 16181
	150	36	90	17.5	20	-	10	285	DIN 16185
	200	36	130	17.5	20	-	10	320	DIN 16189
Angle 90°	110	36	60	17	-	48	10	230	DIN 16182
	150	36	90	17	-	48	10	275	DIN 16186
	200	36	130	17	-	48	10	310	DIN 16190
Angle 135°	110	36	60	17	20	-	10	230	-
	150	36	90	17.5	20	-	10	275	-
	200	36	130	17.5	20	-	10	310	DIN 16191

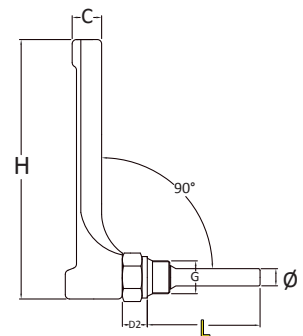
Application:

- Heating
- Boilers
- Naval Sector

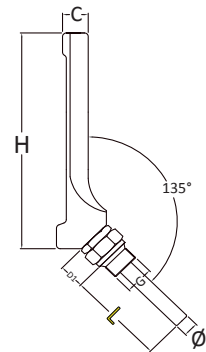
A Straight



B Angle 90°



C Angle 135°



How to order

1. Case size in mm (H) 110 150 200	2. Case material Aluminium Polyamide
3. Case Color Gold Silver	4. Mounting A B C
5. Temperature Range (°C) -10+50 0+120 0+400 -30+50 0+160 0+500 0+60 0+200 0+600 0+100 0+300	6. Temperature scale Single °C Double °C / °F

Temperature range according to DIN 16195

Tmp. in °C	H	Subdivision °C/line	Maximum error	Liquid
-60+40	110	2	2	Alcohol
	150	1		
	200	1		
-30+50	110	2	2	Alcohol or Mercury
	150	1		
	200	1		
0+60	110	2	2	Alcohol or Mercury
	150	1		
	200	1		
0+100	110	2	2	Alcohol or Mercury
	150	1		
	200	1		
0+120	110	2	2	Alcohol or Mercury
	150	1		
	200	1		
0+160	110	2	2	Alcohol or Mercury
	150	1		
	200	1		
0+200	110	2	2	Alcohol or Mercury
	150	1		
	200	1		
0+300	150	5	5	Mercury
	400	5		
	500	5		
0+600	150	10	10	Mercury
	200	10		

7. Thermometric liquid Blue alcohol Red alcohol Mercury	8. Stem length in mm (L), including thread 25 40 55 70 85 110 135 200 270 400 30 45 60 75 90 120 140 220 300 450 35 50 63 80 100 130 160 250 350 500	9. Stem diameter in mm (Ø) Ø10 Ø8	10. Stem material Brass Chromed carbon steel Galvanized carbon steel Stainless st. AISI 304 Stainless st. AISI 316
11. Threads ½" BSP male ½" BSPT male ½" NPT male ¾" BSP male	12. Logo GESA Without Logo	13. Calibration certificate traceable to ENAC 3 points 4 points 5 points	6 points 7 points Without certificate

C0101 -

1	2	3	4	5	6	7	8	9	10	11	12	13



C1

C 02 01

V-shaped thermometer: Glass inserts

Liquid expansion thermometers for temperatures from -60°C to 600°C.
These replacement glass inserts for the industrial thermometers C0101 are very tough, easy to install and reliable.



STANDARD PARAMETERS

Design: **DIN 16181/16182/16185/16186/16189/16190/16195**

Structure: The glass insert is secured by an aluminum case where the temperature range is printed. The metallic stem is fixed into the system by male or female thread or through a bolt

Dimension according to the case size (H): **110, 150 or 200mm**

Mounting: See attached diagrams **A, B or C**

Stem length (L), including thread: **25-500mm**

Insert diameter (Ø) : **6.25mm**

Range: **-60...0...600°C**

Scale: **°C or double scale °C and °F**

MATERIALS

Insert: Prismatic glass with white strip for T<450°C and Round glass with yellow back for T>450°C

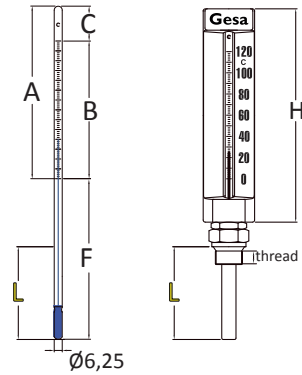
Thermometric liquid: Blue or red alcohol for T<200°C / Mercury for T>200°C

Application:

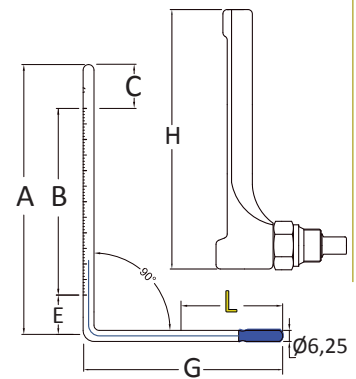
- Heating
- Boilers
- Naval Sector

Mounting	DIMENSIONS(mm)					WEIGHT (g)	DIN
	H	A	B	C	E		
Straight	110	76	60	16	-	11	DIN 16181
	150	113	90	23	-	13	DIN 16185
	200	153	130	23	-	18	DIN 16189
Angle 90°	110	86	60	15	11	11	DIN 16182
	150	124	90	18	16	13	DIN 16186
	200	174	130	24	20	18	DIN 16190
Angle 135°	110	86	60	15	11	11	-
	150	124	90	18	16	13	-
	200	174	130	24	20	18	DIN 16191

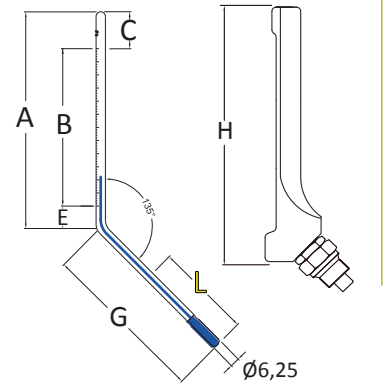
A Straight



B Angle 90°



C Angle 135°



Liquid operation limits

		Minimum operation temp. (°C)	Maximum operation temp. (°C)
Mercury	Hg	-38	+800
Ethanol	C ₂ H ₅ O	-110	+110
Toluene	C ₇ H ₆	-115	+135
Etil Benzoate	C ₁₂ H ₁₆ O ₂	-40	+220

Temperature range according to DIN 16195

Tmp. in °C	H	Subdivision °C/line	Maximum error	Liquid
-60+40	110	2	2	Alcohol
	150	1		
	200	1		
-30+50	110	1	2	Alcohol or mercury
	150		2	
	200		1	
0+60	110	1	2	Alcohol or mercury
	150		2	
	200		1	
0+100 0+120	110	2	2	Mercury
	150		5	
	200		10	
0+160 0+200	110	2	2	Mercury
	150		5	
	200		10	
0+300 0+400 0+500 0+600	150	5	5	Mercury
	200		10	
	200		10	

Stem length

L	H=110mm		H=150mm		H=200mm	
	F	G	F	G	F	G
40	104	92	110	104	120	92
63	104	92	104	110	120	92
100	141	129	141	147	157	129
160	201	189	201	207	217	189
200	241	229	241	247	257	229

How to order

1. Case dimension (H)

110
150
200

2. Mounting

A B C

3. Temperature range (°C)

-10+50 0+100 0+200 0+500
-30+50 0+120 0+300 0+600
0+60 0+160 0+400

4. Temperature scale

Single °C
Double °C / °F

5. Thermometric liquid

Blue alcohol
Red alcohol
Mercury

6. Stem length in mm (L), including thread

25 40 55 70 85 110 135 200 270 400
30 45 60 75 90 120 140 220 300 450
35 50 63 80 100 130 160 250 350 500

7. Calibration certificate traceable to ENAC

3 points 6 points
4 points 7 points
5 points Without certificate

ING1.0

C0201 -

1	2	3	4	5	6	7
---	---	---	---	---	---	---

www.termometros.com

Order it online!

+34 94 676 63 64

info@termometros.com



V-shaped thermometer: Protection sheaths

They are used to enhance safety at the point where the thermometer is fixed to the facility. They are required when operating pressure is over 16 bar. These accessories also prevent facility stoppages whenever the thermometer has to be replaced. They resist extreme hard conditions: vibrations, humidity, high temperature, outdoor installations.

C 03 01



STANDARD PARAMETERS

Design: **DIN 16179**

Structure:

BD- Two welded pieces, female connection to the thermometer and male connection to the process

BE- A single piece, female connection to the thermometer and male connection to the process

BS- A single piece, female connection to the thermometer and welded to the process

CD- Two welded pieces, male connection to the thermometer and male connection to the process

CE- A single piece, male connection to the thermometer and male connection to the process

CS- A single piece, male connection to the thermometer and welded to the process

Connection system: **Male thread or Welded**

Threads: **Standard BSP, metrics or NPT**

Stem length (L), including thread: **25-500mm**

Stem diameter (Ø): **Ø12, Ø13, Ø14, Ø17 or Ø22**

MATERIALS

Brass / Carbon steel /Stainless steel AISI 304, 316 or 316L

DIMENSIONS(mm)

		d1	d3	d4	d5	d7	r1	s1	h1	h2	h3	b1	b2	sw	L2
BD	M20x1.5	25	27	-	13	-	2	22	12	-	16	25	27	L - 18	
	½" BSP	32	32	-	13	-	2	26	15	-	20	25	32	L - 22	
	¾" BSP	32	32	-	13	-	2	26	15	-	20	25	32	L - 22	
BE	M20x1.5	25	27	-	17	8,5	7,5	22	12	-	16	25	27	L - 11	
	½" BSP	32	32	-	22	9,5	7,5	26	15	-	20	25	32	L - 15	
BS	-	-	30	25	-	8,5	7,5	-	-	39	16	19	-	L - 18	
	-	-	36	26	-	9,5	7,5	-	-	45	20	24	-	L - 18	
CD	M20x1.5	25	-	-	13	-	2	22	12	-	-	-	-	27	L - 18
	½" BSP	32	-	-	13	-	2	26	15	-	-	-	-	32	L - 22
	¾" BSP	32	-	-	13	-	2	26	15	-	-	-	-	32	L - 22
CE	M20x1.5	25	-	-	13	8,5	2	25	25	-	-	-	-	27	L - 18
	½" BSP	32	-	-	13	9,5	2	29	32	-	-	-	-	32	L - 22
CS	-	-	24	-	-	8,5	7,5	-	-	39	-	-	-	L - 18	
	-	-	30	-	-	9,5	7,5	-	-	45	-	-	-	L - 18	

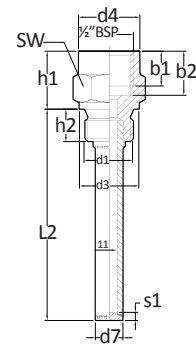
L2 measures the distance of the stem and thread in the protection sheath

L measures the distance of the stem and thread in the thermowell

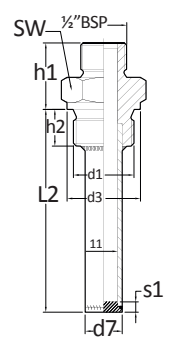
Operation limits

		BD	BE	BS	CD	CE	CS
Maximum pressure bar	Brass	25	150	160	25	150	160
	Steel	40	150	160	25	150	150
Maximum temperature °C	Brass	160	300	300	160	300	300
	Steel	400	300	400	400	300	400

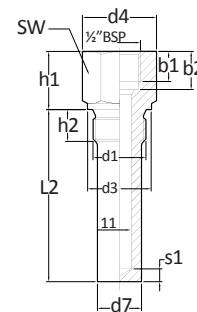
BD



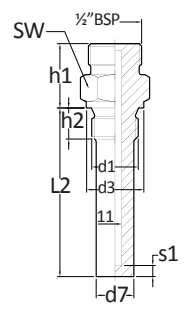
CD



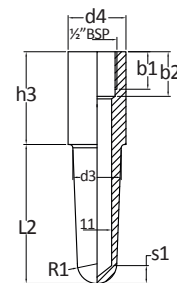
BE



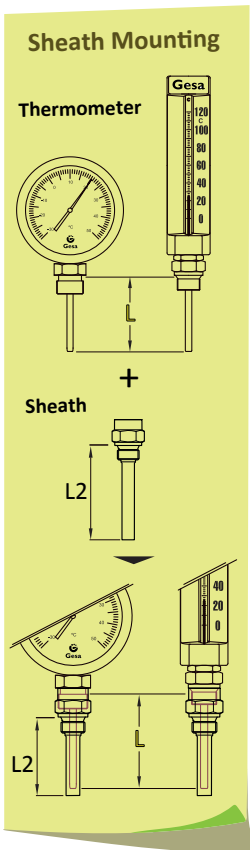
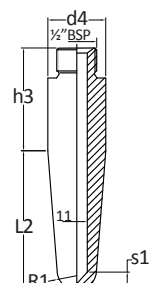
CE



BS



CS



How to order

1. Model

BD BE BS
CD CE CS

2. Stem length in mm (L)

63 100 160 200

3. Stem diameter in mm

Ø12 Ø13 Ø14
Ø17 Ø22

4. Threaded connection

½" BSP male ½" BSP Female

5. Stem Material

Brass
Chromed carbon steel

Galvanized carbon steel
Stainless steel AISI 304

Stainless steel AISI 316

ING1.0

C0301 -

1	2	3	4	5
---	---	---	---	---

www.termometros.com

Order it online!

+34 94 676 63 64

info@termometros.com



C3

V-shaped thermometer: Thermowell

Thermometer replacements for temperatures from -60°C to 600°C.
These instruments are very tough, easy to install and reliable



STANDARD PARAMETERS

Design: **DIN 16179**

Structure: **For thermometers Straight/Angle 135° and Angle 90°**

Connection system : **Male or female thread or Bolt**

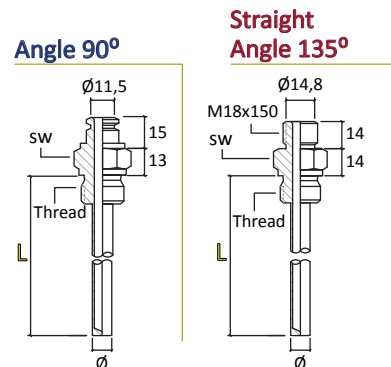
Threads: **Standard BSP, metrics or NPT**

Stem length (L), including thread: **25-500mm**

Stem diameter (Ø): **Ø8, Ø10 or Ø12mm**

MATERIALS

Brass / Chromed or Galvanized carbon steel / Stainless steel AISI 304, 316 or 316L



How to order

1. Model
Straight Angle 90° Angle 135°

2. Stem length in mm (L)

30	45	80	130	250	400
35	50	100	160	300	450
40	63	120	200	350	500

3. Stem diameter in mm
Ø8 Ø10 Ø12

4. Threaded connection

½" BSP male	¾" NPT male	M22X150 male
½" NPT male	M16X150 male	M27X200 male
¾" BSP male	M18X150 male	Bolt Ø16mm
¾" NPT male	M20X150 male	Bolt Ø18mm

5. Stem material

Brass
Chromed carbon steel Stainless steel AISI 304
Galvanized carbon steel Stainless steel AISI 316

C0302 - [1] [2] [3] [4] [5]

www.termometros.com



V-shaped thermometer: Replacement cases

Thermometer replacements for temperatures from -60°C to 600°C.
These instruments are very tough, easy to install and reliable

STANDARD PARAMETERS

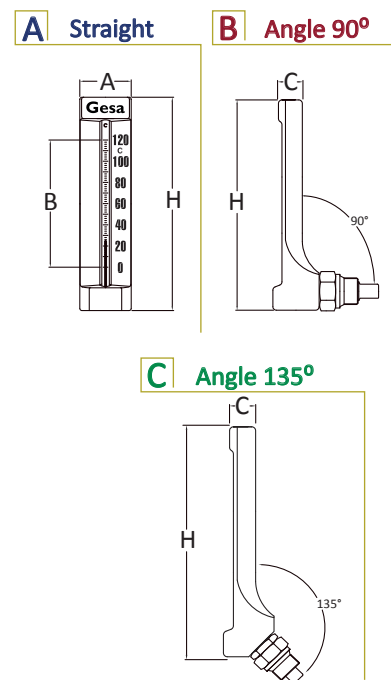
Case dimension: **110, 150 or 200mm**

Case color: **Gold or Silver**

Mounting: **Straight, Angle 90 or Angle 135**

MATERIALS

Aluminium or Polyamide



Mounting	DIMENSIONS(mm)				WEIGHT (g)	DIN
	H	A	B	C		
Straight	110	36	60	17	230	DIN 16181
	150	36	90	17.5	285	DIN 16185
	200	36	130	17.5	320	DIN 16189
Angle 90°	110	36	60	17	230	DIN 16182
	150	36	90	17	275	DIN 16186
	200	36	130	17	310	DIN 16190
Angle 135°	110	36	60	17	230	-
	150	36	90	17.5	275	-
	200	36	130	17.5	310	DIN 16191

How to order

1. Case dimension (H)
110
150
200

2. Case material
Aluminium
Polyamide

3. Case color
Gold
Silver

4. Mounting
A B C

5. Temperature range (°C)

-10+50	0+120	0+400
-30+50	0+160	0+500
0+60	0+200	0+600
0+100	0+300	

6. Temperature scale
Single °C
Double °C / °F

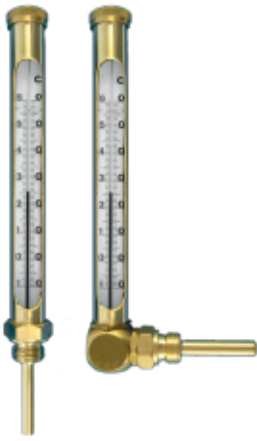
12. Logo
GESA
Without Logo

C0301 - [1] [2] [3] [4] [5]

www.termometros.com



Liquid expansion thermometers for temperatures from -40°C to 200°C.
 These instruments are very tough, easy to install and reliable.
 They resist extreme hard conditions: vibrations, humidity, indoor and outdoors.



STANDARD PARAMETERS

Design: **DIN 16167, DIN 16174, DIN 16168, DIN 16175**
 Structure: The opal is secured by a metallic case. The temperature range is printed on the opal. The metallic stem is fixed into the system by male or female thread or through a bolt.
 Case dimension (HxØF): **145xØ20, 170xØ20, 200xØ22 or 260xØ22mm**
 Mounting: See attached diagrams **A** or **B**
 Connection system: **Male or female thread or Bolt**
 Threads: **Standard BSP, metrics or NPT**
 Stem length (L), including thread: **40-300mm**
 Stem diameter (ØV) : **10 or 12mm**
 Range: **-40...0...200°C**
 Scale: **°C or double scale °C / °F**

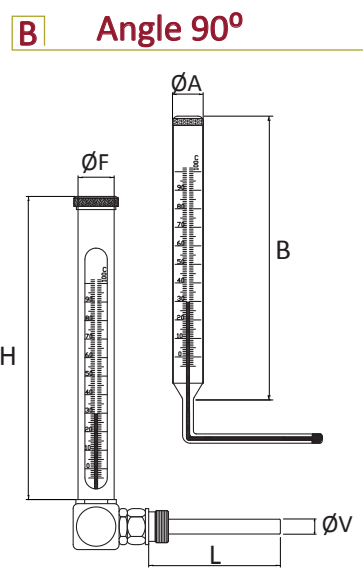
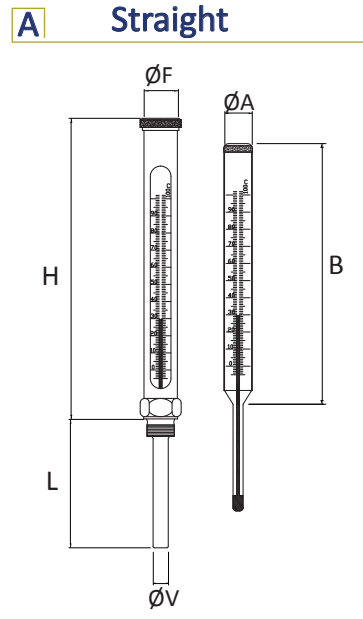
MATERIALS

Case: **Chromed steel, Stainless steel AISI 316 or Brass**
 Scale: **Opal**
 Insert: **Glass**
 Thread and Stem: **Chromed steel, Stainless steel AISI 316 or Brass**
 Thermometric liquid: **Blue or red alcohol**

Application:

- Heater
- Boilers
- Naval sector

Mounting	DIMENSIONS(mm)					WEIGHT (g)	DIN
	H	B	ØF	ØA	ØV		
Straight	145	135	20	16	10	81	-
	170	160	20	16	10	81	DIN 16167
	200	190	22	18	10	130	-
	260	220	22	18	10	152	DIN 16174
Angle 90°	145	135	20	16	10	81	-
	170	160	20	16	10	81	DIN 16168
	200	190	22	18	10	130	-
	260	220	22	18	10	152	DIN 16175



Temperature range according to DIN 16195

Tmp. in °C	H	Subdivision °C/line	Maximum error	Liquid
-40+40	145	1	2	Blue alcohol
	170			
	200			
	260			
-10+50	145	2	1	Blue alcohol
	170			
	200			
	260			
0+150	145	2	2	Blue alcohol
	170			
	200			
	260			

How to order

1. Case dimension 145xØ20mm 170xØ20mm 200xØ22mm 260xØ22mm	2. Case material Brass Chromed steel Stainless steel AISI 316
3. Mounting A B	4. Temperature range (°C) -40+40 0+60 0+120 0+200 -10+60 0+100 0+150
5. Temperature scale Single °C Double °C / °F	6. Thermometric liquid Blue alcohol Red alcohol Mercury
9. Stem material Brass Chromed carbon steel Galvanized carbon steel	10. Threaded connection ½" BSP male ½" BSPT male ¾" NPT male ¾" BSP male ½" BSP male ¾" BSP male 1" BSP male 1 ½" BSP male 2" BSP male 2 ½" BSP male 3" BSP male 4" BSP male 5" BSP male 6" BSP male 8" BSP male 10" BSP male 12" BSP male 14" BSP male 16" BSP male 18" BSP male 20" BSP male 22" BSP male 24" BSP male 26" BSP male 28" BSP male 30" BSP male 32" BSP male 34" BSP male 36" BSP male 38" BSP male 40" BSP male 42" BSP male 44" BSP male 46" BSP male 48" BSP male 50" BSP male 52" BSP male 54" BSP male 56" BSP male 58" BSP male 60" BSP male 62" BSP male 64" BSP male 66" BSP male 68" BSP male 70" BSP male 72" BSP male 74" BSP male 76" BSP male 78" BSP male 80" BSP male 82" BSP male 84" BSP male 86" BSP male 88" BSP male 90" BSP male 92" BSP male 94" BSP male 96" BSP male 98" BSP male 100" BSP male 102" BSP male 104" BSP male 106" BSP male 108" BSP male 110" BSP male 112" BSP male 114" BSP male 116" BSP male 118" BSP male 120" BSP male 122" BSP male 124" BSP male 126" BSP male 128" BSP male 130" BSP male 132" BSP male 134" BSP male 136" BSP male 138" BSP male 140" BSP male 142" BSP male 144" BSP male 146" BSP male 148" BSP male 150" BSP male 152" BSP male 154" BSP male 156" BSP male 158" BSP male 160" BSP male 162" BSP male 164" BSP male 166" BSP male 168" BSP male 170" BSP male 172" BSP male 174" BSP male 176" BSP male 178" BSP male 180" BSP male 182" BSP male 184" BSP male 186" BSP male 188" BSP male 190" BSP male 192" BSP male 194" BSP male 196" BSP male 198" BSP male 200" BSP male 202" BSP male 204" BSP male 206" BSP male 208" BSP male 210" BSP male 212" BSP male 214" BSP male 216" BSP male 218" BSP male 220" BSP male 222" BSP male 224" BSP male 226" BSP male 228" BSP male 230" BSP male 232" BSP male 234" BSP male 236" BSP male 238" BSP male 240" BSP male 242" BSP male 244" BSP male 246" BSP male 248" BSP male 250" BSP male 252" BSP male 254" BSP male 256" BSP male 258" BSP male 260" BSP male 262" BSP male 264" BSP male 266" BSP male 268" BSP male 270" BSP male 272" BSP male 274" BSP male 276" BSP male 278" BSP male 280" BSP male 282" BSP male 284" BSP male 286" BSP male 288" BSP male 290" BSP male 292" BSP male 294" BSP male 296" BSP male 298" BSP male 300" BSP male 302" BSP male 304" BSP male 306" BSP male 308" BSP male 310" BSP male 312" BSP male 314" BSP male 316" BSP male 318" BSP male 320" BSP male 322" BSP male 324" BSP male 326" BSP male 328" BSP male 330" BSP male 332" BSP male 334" BSP male 336" BSP male 338" BSP male 340" BSP male 342" BSP male 344" BSP male 346" BSP male 348" BSP male 350" BSP male 352" BSP male 354" BSP male 356" BSP male 358" BSP male 360" BSP male 362" BSP male 364" BSP male 366" BSP male 368" BSP male 370" BSP male 372" BSP male 374" BSP male 376" BSP male 378" BSP male 380" BSP male 382" BSP male 384" BSP male 386" BSP male 388" BSP male 390" BSP male 392" BSP male 394" BSP male 396" BSP male 398" BSP male 400" BSP male 402" BSP male 404" BSP male 406" BSP male 408" BSP male 410" BSP male 412" BSP male 414" BSP male 416" BSP male 418" BSP male 420" BSP male 422" BSP male 424" BSP male 426" BSP male 428" BSP male 430" BSP male 432" BSP male 434" BSP male 436" BSP male 438" BSP male 440" BSP male 442" BSP male 444" BSP male 446" BSP male 448" BSP male 450" BSP male 452" BSP male 454" BSP male 456" BSP male 458" BSP male 460" BSP male 462" BSP male 464" BSP male 466" BSP male 468" BSP male 470" BSP male 472" BSP male 474" BSP male 476" BSP male 478" BSP male 480" BSP male 482" BSP male 484" BSP male 486" BSP male 488" BSP male 490" BSP male 492" BSP male 494" BSP male 496" BSP male 498" BSP male 500" BSP male 502" BSP male 504" BSP male 506" BSP male 508" BSP male 510" BSP male 512" BSP male 514" BSP male 516" BSP male 518" BSP male 520" BSP male 522" BSP male 524" BSP male 526" BSP male 528" BSP male 530" BSP male 532" BSP male 534" BSP male 536" BSP male 538" BSP male 540" BSP male 542" BSP male 544" BSP male 546" BSP male 548" BSP male 550" BSP male 552" BSP male 554" BSP male 556" BSP male 558" BSP male 560" BSP male 562" BSP male 564" BSP male 566" BSP male 568" BSP male 570" BSP male 572" BSP male 574" BSP male 576" BSP male 578" BSP male 580" BSP male 582" BSP male 584" BSP male 586" BSP male 588" BSP male 590" BSP male 592" BSP male 594" BSP male 596" BSP male 598" BSP male 600" BSP male 602" BSP male 604" BSP male 606" BSP male 608" BSP male 610" BSP male 612" BSP male 614" BSP male 616" BSP male 618" BSP male 620" BSP male 622" BSP male 624" BSP male 626" BSP male 628" BSP male 630" BSP male 632" BSP male 634" BSP male 636" BSP male 638" BSP male 640" BSP male 642" BSP male 644" BSP male 646" BSP male 648" BSP male 650" BSP male 652" BSP male 654" BSP male 656" BSP male 658" BSP male 660" BSP male 662" BSP male 664" BSP male 666" BSP male 668" BSP male 670" BSP male 672" BSP male 674" BSP male 676" BSP male 678" BSP male 680" BSP male 682" BSP male 684" BSP male 686" BSP male 688" BSP male 690" BSP male 692" BSP male 694" BSP male 696" BSP male 698" BSP male 700" BSP male 702" BSP male 704" BSP male 706" BSP male 708" BSP male 710" BSP male 712" BSP male 714" BSP male 716" BSP male 718" BSP male 720" BSP male 722" BSP male 724" BSP male 726" BSP male 728" BSP male 730" BSP male 732" BSP male 734" BSP male 736" BSP male 738" BSP male 740" BSP male 742" BSP male 744" BSP male 746" BSP male 748" BSP male 750" BSP male 752" BSP male 754" BSP male 756" BSP male 758" BSP male 760" BSP male 762" BSP male 764" BSP male 766" BSP male 768" BSP male 770" BSP male 772" BSP male 774" BSP male 776" BSP male 778" BSP male 780" BSP male 782" BSP male 784" BSP male 786" BSP male 788" BSP male 790" BSP male 792" BSP male 794" BSP male 796" BSP male 798" BSP male 800" BSP male 802" BSP male 804" BSP male 806" BSP male 808" BSP male 810" BSP male 812" BSP male 814" BSP male 816" BSP male 818" BSP male 820" BSP male 822" BSP male 824" BSP male 826" BSP male 828" BSP male 830" BSP male 832" BSP male 834" BSP male 836" BSP male 838" BSP male 840" BSP male 842" BSP male 844" BSP male 846" BSP male 848" BSP male 850" BSP male 852" BSP male 854" BSP male 856" BSP male 858" BSP male 860" BSP male 862" BSP male 864" BSP male 866" BSP male 868" BSP male 870" BSP male 872" BSP male 874" BSP male 876" BSP male 878" BSP male 880" BSP male 882" BSP male 884" BSP male 886" BSP male 888" BSP male 890" BSP male 892" BSP male 894" BSP male 896" BSP male 898" BSP male 900" BSP male 902" BSP male 904" BSP male 906" BSP male 908" BSP male 910" BSP male 912" BSP male 914" BSP male 916" BSP male 918" BSP male 920" BSP male 922" BSP male 924" BSP male 926" BSP male 928" BSP male 930" BSP male 932" BSP male 934" BSP male 936" BSP male 938" BSP male 940" BSP male 942" BSP male 944" BSP male 946" BSP male 948" BSP male 950" BSP male 952" BSP male 954" BSP male 956" BSP male 958" BSP male 960" BSP male 962" BSP male 964" BSP male 966" BSP male 968" BSP male 970" BSP male 972" BSP male 974" BSP male 976" BSP male 978" BSP male 980" BSP male 982" BSP male 984" BSP male 986" BSP male 988" BSP male 990" BSP male 992" BSP male 994" BSP male 996" BSP male 998" BSP male 1000" BSP male
7. Stem length in mm (L), including thread 40 55 100 250 45 63 160 300 50 80 200	8. Stem diameter in mm (ØV) Ø10 Ø12
9. Stem material Brass Chromed carbon steel Galvanized carbon steel	10. Threaded connection ½" BSP male ½" BSPT male ¾" NPT male ¾" BSP male ½" BSP male ¾" BSP male 1" BSP male 1 ½" BSP male 2" BSP male 2 ½" BSP male 3" BSP male 4" BSP male 5" BSP male 6" BSP male 8" BSP male 10" BSP male 12" BSP male 14" BSP male 16" BSP male 18" BSP male 20" BSP male 22" BSP male 24" BSP male 26" BSP male 28" BSP male 30" BSP male 32" BSP male 34" BSP male 36" BSP male 38" BSP male 40" BSP male 42" BSP male 44" BSP male 46" BSP male 48" BSP male 50" BSP male 52" BSP male 54" BSP male 56" BSP male 58" BSP male 60" BSP male 62" BSP male 64" BSP male 66" BSP male 68" BSP male 70" BSP male 72" BSP male 74" BSP male 76" BSP male 78" BSP male 80" BSP male 82" BSP male 84" BSP male 86" BSP male 88" BSP male 90" BSP male 92" BSP male 94" BSP male 96" BSP male 98" BSP male 100" BSP male 102" BSP male 104" BSP male 106" BSP male 108" BSP male 110" BSP male 112" BSP male 114" BSP male 116" BSP male 118" BSP male 120" BSP male 122" BSP male 124" BSP male 126" BSP male 128" BSP male 130" BSP male 132" BSP male 134" BSP male 136" BSP male 138" BSP male 140" BSP male 142" BSP male 144" BSP male 146" BSP male 148" BSP male 150" BSP male 152" BSP male 154" BSP male 156" BSP male 158" BSP male 160" BSP male 162" BSP male 164" BSP male 166" BSP male 168" BSP male 170" BSP male 172" BSP male 174" BSP male 176" BSP male 178" BSP male 180" BSP male 182" BSP male 184" BSP male 186" BSP male 188" BSP male 190" BSP male 192" BSP male 194" BSP male 196" BSP male 198" BSP male 200" BSP male 202" BSP male 204" BSP male 206" BSP male 208" BSP male 210" BSP male 212" BSP male 214" BSP male 216" BSP male 218" BSP male 220" BSP male 222" BSP male 224" BSP male 226" BSP male 228" BSP male 230" BSP male 232" BSP male 234" BSP male 236" BSP male 238" BSP male 240" BSP male 242" BSP male 244" BSP male 246" BSP male 248" BSP male 250" BSP male 252" BSP male 254" BSP male 256" BSP male 258" BSP male 260" BSP male 262" BSP male 264" BSP male 266" BSP male 268" BSP male 270" BSP male 272" BSP male 274" BSP male 276" BSP male 278" BSP male 280" BSP male 282" BSP male 284" BSP male 286" BSP male 288" BSP male 290" BSP male 292" BSP male 294" BSP male 296" BSP male 298" BSP male 300" BSP male 302" BSP male 304" BSP male 306" BSP male 308" BSP male 310" BSP male 312" BSP male 314" BSP male 316" BSP male 318" BSP male 320" BSP male 322" BSP male 324" BSP male 326" BSP male 328" BSP male 330" BSP male 332" BSP male 334" BSP male 336" BSP male 338" BSP male 340" BSP male 342" BSP male 344" BSP male 346" BSP male 348" BSP male 350" BSP male 352" BSP male 354" BSP male 356" BSP male 358" BSP male 360" BSP male 362" BSP male 364" BSP male 366" BSP male 368" BSP male 370" BSP male 372" BSP male 374" BSP male 376" BSP male 378" BSP male 380" BSP male 382" BSP male 384" BSP male 386" BSP male 388" BSP male 390" BSP male 392" BSP male 394" BSP male 396" BSP male 398" BSP male 400" BSP male 402" BSP male 404" BSP male 406" BSP male 408" BSP male 410" BSP male 412" BSP male 414" BSP male 416" BSP male 418" BSP male 420" BSP male 422" BSP male 424" BSP male 426" BSP male 428" BSP male 430" BSP male 432" BSP male 434" BSP male 436" BSP male 438" BSP male 440" BSP male 442" BSP male 444" BSP male 446" BSP male 448" BSP male 450" BSP male 452" BSP male 454" BSP male 456" BSP male 458" BSP male 460" BSP male 462" BSP male 464" BSP male 466" BSP male 468" BSP male 470" BSP male 472" BSP male 474" BSP male 476" BSP male 478" BSP male 480" BSP male 482" BSP male 484" BSP male 486" BSP male 488" BSP male 490" BSP male 492" BSP male 494" BSP male 496" BSP male 498" BSP male 500" BSP male 502" BSP male 504" BSP male 506" BSP male 508" BSP male 510" BSP male 512" BSP male 514" BSP male 516" BSP male 518" BSP male 520" BSP male 522" BSP male 524" BSP male 526" BSP male 528" BSP male 530" BSP male 532" BSP male 534" BSP male 536" BSP male 538" BSP male 540" BSP male 542" BSP male 544" BSP male 546" BSP male 548" BSP male 550" BSP male 552" BSP male 554" BSP male 556" BSP male 558" BSP male 560" BSP male 562" BSP male 564" BSP male 566" BSP male 568" BSP male 570" BSP male 572" BSP male 574" BSP male 576" BSP male 578" BSP male 580" BSP male 582" BSP male 584" BSP male 586" BSP male 588" BSP male 590" BSP male 592" BSP male 594" BSP male 596" BSP male 598" BSP male 600" BSP male 602" BSP male 604" BSP male 606" BSP male 608" BSP male 610" BSP male 612" BSP male 614" BSP male 616" BSP male 618" BSP male 620" BSP male 622" BSP male 624" BSP male 626" BSP male 628" BSP male 630" BSP male 632" BSP male 634" BSP male 636" BSP male 638" BSP male 640" BSP male 642" BSP male 644" BSP male 646" BSP male 648" BSP male 650" BSP male 652" BSP male 654" BSP male 656" BSP male 658" BSP male 660" BSP male 662" BSP male 664" BSP male 666" BSP male 668" BSP male 670" BSP male 672" BSP male 674" BSP male 676" BSP male 678" BSP male 680" BSP male 682" BSP male 684" BSP male 686" BSP male 688" BSP male 690" BSP male 692" BSP male 694" BSP male 696" BSP male 698" BSP male 700" BSP male 702" BSP male 704" BSP male 706" BSP male 708" BSP male 710" BSP male 712" BSP male 714" BSP male

Solid Stem Glass Thermometers W0101th protection sheath



Solid stem glass thermometers protected in a metallic sheath 10mm diameter with a ring at the upper side for hanging.

Useful for high and under zero temperatures.

The scale marked on the thermometer is acid and alkali proof.

STANDARD PARAMETERS

Structure: The stem glass is fixed and secured with a plug located at each end of the sheath. In the upper side, the sheath is complemented with a ring useful for hang. See attached diagram **A**

Upper closing: Rounded, Ball or Ring

Stem dimension (Hv x Øv): 200xØ6mm, 300xØ6mm or 400xØ6mm

Sheath dimension: 218xØ10mm, 318xØ10mm or 418xØ10mm

Range: -50...0...500°C

Scale: °C stamped on the glass

Glass rod: White strip (Low temperatures) / Yellow strip (High temperatures)

MATERIALS

Sheath: Brass

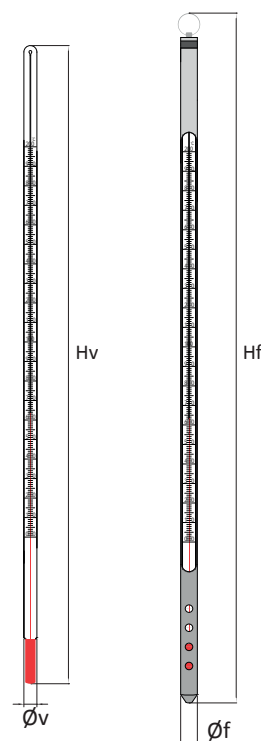
Stem: Round glass

Thermometric liquid: Blue or red alcohol for temp.<200°C / Mercury for temp.>200°C

Temperature range according to DIN 16195 (H=300mm)

Temp. in °C	Subdivision °C/line	Maximum error	Liquid
-50+50	1	2	Alcohol
-40+40	1	1	
-10+100			
0+60			
0+100	2	2	Mercury
0+200			
0+300	10	5	
0+500			

A Straight



Upper closing

Rounded

Ball

Ring



Application:

- Heating
- Boilers
- Naval sector
- Fridges
- Laboratories
- General

How to order

1. Model

With brass sheath
Without sheath



2. Temperature range

-50+50 -10+100 0+100 0+300
-40+40 0+60 0+200 0+500



3. Thermometric liquid

Blue alcohol
Red alcohol
Mercury

4. Upper closing

Rounded Ball Ring



5. Stem Length

200mm
300mm
400mm



6. Calibration certificate traceable to ENAC

3 points 5 points 7 points
4 points 6 points Without certificate

ING1.0

W0101 -

1	2	3	4	5	6
---	---	---	---	---	---

www.termometros.com

Order it online!

+34 94 676 63 64

info@termometros.com



Dial thermometers with bimetallic strip, inner components in copper alloy. Manufactured according to EN 13190. Radial or back connection.

Reliable tools that withstand extreme working conditions: engine vibration, humidity and aggressive media such as seawater.



STANDARD PARAMETERS

- Design: EN 13190
- Mounting: See attached diagrams **A** or **B**
- Closing: Bayonet
- IP protection: IP54 (EN 60529)
- Accuracy: $\varnothing 80$: Class 1.6 / $\varnothing 100$ - $\varnothing 150$: Class 1.0
- Usage limits:
 - Working temperature: -40+65°C
 - Fluid overtemperature: maximum 10% end of scale
 - Max. pressure on stem: 16 bar
- Temperature range: -30+50; 0+60; 0+120; 0+200; 0+400 °C
- Sensor element: Bimetallic strip
- Stem length: 50; 65; 100; 150; 200; 250; 300 mm
- Process connection: Plain Bulb, Sliding on the stem, protection sheath or crazy nut
- Threaded connection (G): 1/2"NPT, 1/2"BSP or 3/4"BSP / Male or Female

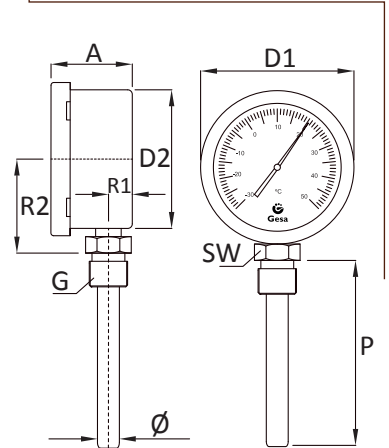
Application:

- Compressed air
- Compressors
- HVAC
- Hydraulics
- Pneumatics

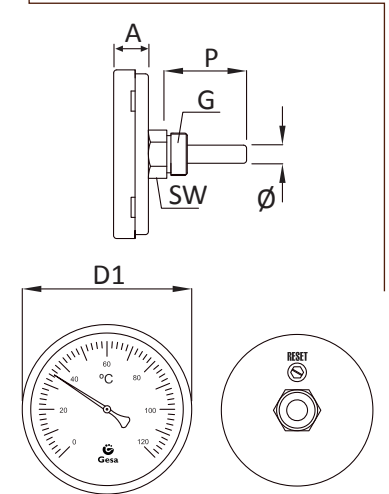
MATERIALS

- Case and ring: AISI 304 Stainless steel
- Moving parts and bimetallic strip: Copper alloy
- Threaded connection: Brass or AISI 316 Stainless steel
- Display: Glass
- Dial: White lacquered aluminum
- Pointer: Black lacquered aluminum
- Bulb/Stem: AISI 316 stainless steel

A Bottom



B Back



DIMENSIONS (mm)									WEIGHT (g)
DN	Mounting	R1	A	D1	Ø	R2	SW	D2	
Ø80	A	12	47	84	11	54	22	75	212
Ø80	B	-	17	84	11	-	22	-	99
Ø100	A	13	50	110	11	65	22	100	285
Ø100	B	-	20	110	11	-	22	-	176
Ø150	A	15	50	160	11	90	22	150	545
Ø150	B	-	20	160	11	-	22	-	485

Temperature scale according to DIN 16206

Scale printed on the dial (°C)	Working range (°C)	Subdivision °C/line	Maximum error
-30+50 0+60	-20+40 +10+50	1	1.5
0+120 0+200	+20+100 +20+180	2	3
0+400	+50+350	5	8

How to order

1. Case diameter			2. Temperature range (°C)					3. Mounting		4. Stem length (mm)					
Ø80	Ø100	Ø150	-30+50	0+60	0+120	0+200	0+400	A	B	50	100	50	65	150	300
5. Process connection		6. Threaded connection		7. Connection type		8. Connection material		9. Calibration certificate traceable to ENAC							
Protection sheath	Plain bulb	1/2"BSP	Male	Brass	3 points	6 points									
Sliding on stem	Crazy nut	3/4"BSP	Female	AISI 316 Stainless steel	4 points	7 points									
		1/2"NPT			5 points	Without certificate									

D01 -

www.termometros.com

Order it online!

+34 94 676 63 64

info@termometros.com

D1



D 02

Bimetallic dial thermometer in stainless steel with orientable stem



Dial thermometers with bimetallic strip, inner components in copper alloy. Manufactured according to EN 13190.

Orientable stem makes it a versatile instrument, useful for a wide variety of applications.

Reliable tools that withstand extreme working conditions: engine vibration, humidity and aggressive media such as seawater.



STANDARD PARAMETERS

Design: EN 13190
Mounting: See attached diagram E
Closing: Bayonet
IP protection: IP54 (EN 60529)
Accuracy: Class 1.6
Usage limits:
Working temperature: -40+65°C
Fluid overtemperature: maximum 10% end of scale
Max. pressure on stem: 16 bar
Temperature range: -40+60; 0+120; 0+200; 0+300; 0+400 °C
Sensor element: Bimetallic strip
Stem length: 150; 200; 250 mm
Process connection: Sliding on the stem or Plain bulb
Threaded connection (G): ½"BSP, ¾"BSP or ½"NPT / Male or Female

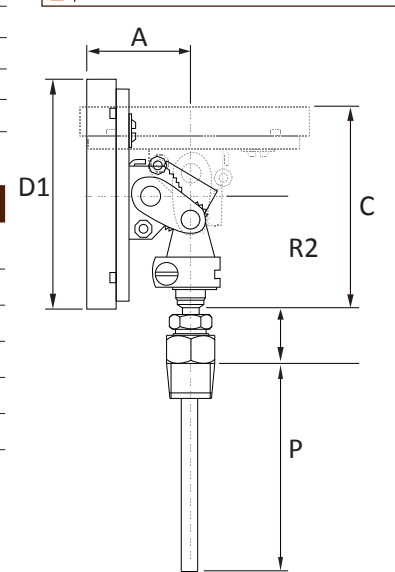
MATERIALS

Case and ring: AISI 304 Stainless steel
Moving parts and bimetallic strip: Copper alloy
Threaded connection: AISI 316 Stainless steel
Display: Glass
Dial: White lacquered aluminum
Pointer: Black lacquered aluminum
Stem: AISI 316 stainless steel

Application:

- Compressed air
- Compressors
- HVAC
- Hydraulics
- Pneumatics

E Orientable



DIMENSIONS (mm)									WEIGHT (g)	Temperature scale according to DIN 16206			
DN	Mounting	R1	A	D1	Ø	R2	SW	D2		Scale printed on the dial (°C)	Working range (°C)	Subdivision °C/line	Maximum error
Ø100	E	12	47	84	10	54	22	75	425	-40+60	-30+40	1	1.5
Ø150	E	-	17	84	10	-	22	-	642	0+120 0+200	+20+100 +20+180	2	3
										0+300 0+400	+50+250 +50+350	5	8

How to order

1. Case diameter		2. Temperature range (°C)					3. Mounting		4. Stem length (mm)				
Ø100	Ø150	-40+60	0+120	0+200	0+300	0+400	E	150	200	250			
5. Process connection		6. Threaded connection		7. Connection type		8. Connection material		9. Calibration certificate traceable to ENAC					
Sliding on stem	Plain bulb	½"BSP	¾"BSP	½"NPT	Male	Female	AISI 316 Stainless steel	3 points	4 points	5 points	6 points	7 points	Without certificate

D02 -

1	2	3	4	5	6	7	8	9

www.termometros.com

Order it online!

+34 94 676 63 64

info@termometros.com



Dial thermometers with bimetal strip with internal copper alloy elements.
Manufactured according to EN 13190 standard.

They are economic instruments especially designed for heating and cooling applications.



STANDARD PARAMETERS

- Design: EN 13190
- Mounting: See attached diagrams **A** or **B**
- Closing: **A**: Bayonet; **B**: Sealed ring
- IP protection: IP56 (EN 60529)
- Accuracy: Class 2.5
- Temperature limits:
 - Room temperature: -40+65°C
 - Fluid overtemperature: maximum 10% end of scale
 - Max. pressure on stem: 16 bar
- Temperature range: **-20+60; 0+120 °C**
- Sensor element: Bimetallic strip
- Stem length (P): **50; 65; 100 mm**
- Process connection: Trough protection sheath
- Threaded connection (G): 1/2" BSP Male

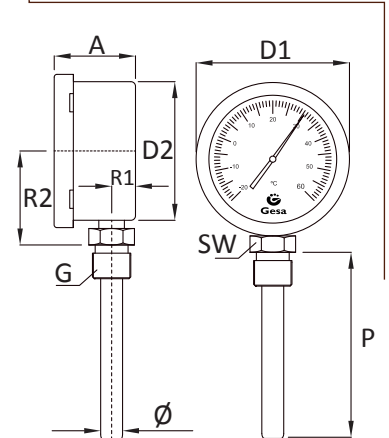
MATERIALS

- Case and ring: Zincked steel
- Moving parts and bimetallic strip: Copper alloy
- Threaded connection: **Brass or AISI 316 Stainless steel**
- Display: Glass
- Dial: White lacquered aluminum
- Pointer: Black lacquered aluminum
- Stem: Brass

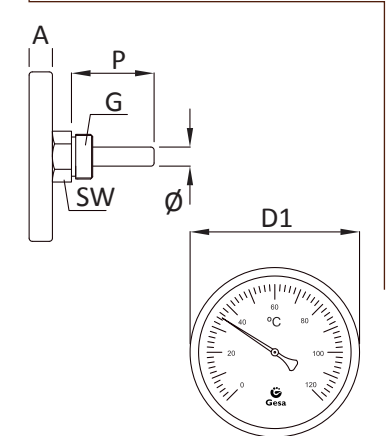
Application:

- Heating systems
- Refrigeration

A Bottom



B Back



DIMENSIONS (mm)									WEIGHT (g)	
DN	Mounting	R1	A	D1	Ø	R2	SW	D2	P=50mm	P=100mm
Ø63	A	12	47	68	11	44	22	60	174	184
Ø63	B	-	12	63	11	-	22	-	134	147
Ø80	A	13	50	84	11	54	22	75	204	216
Ø80	B	-	13	80	11	-	22	-	-	176

Temperature scale according to DIN 16206

Scale printed on the dial (°C)	Working range (°C)	Subdivision °C/line	Maximum error
-20+60	-10+50	1	2
0+120	+20+100	2	3

How to order

1. Case diameter: Ø63 Ø80
2. Temperature range (°C): -20+60 0+120
3. Mounting: **A** **B**
4. Stem length (mm): 50 65 100
5. Connection material: Brass AISI 316 Stainless steel

6. Calibration certificate traceable to ENAC

- 3 points 6 points
- 4 points 7 points
- 5 points Without certificate

D03 -

1	2	3	4	5	6
---	---	---	---	---	---

www.termometros.com

Order it online!

+34 94 676 63 64

info@termometros.com

D 22

Pyrometer with antivibration system for High Temperatures



Gas expansion thermometers manufactured according to EN 13190 standard. Reliable tools that withstand extreme working conditions: engine vibration, humidity and aggressive media such as seawater.

Especially designed to measure the temperature of the exhaust gases of the engines. The pyrometer box is filled with silicon oil serving as a vibration dampener.



STANDARD PARAMETERS

Design: EN 13190
Mounting: See attached diagrams A or B
Closing: Bayonet. Sealed by rubber gasket
IP protection: IP65 (EN 60529)
Accuracy: Class 1.6
Temperature limits:
Room temperature: -40+65°C
Fluid overtemperature: maximum 15% end of scale
Max. pressure on stem: 50 bar
Temperature range: +50+650 °C/°F
Sensor element: Bourdon tube (Inert gas expansion)
Stem length (P): 150; 200; 300; 400 mm
Process connection: Sliding on the stem
Threaded connection: 1/2" BSP, 1/2" NPT, 3/8" BSP, 3/4" BSP, M20x150 or M22x150
Antivibration liquid: Silicon oil
Vibration damping system: Spring or Silent block (mesh)

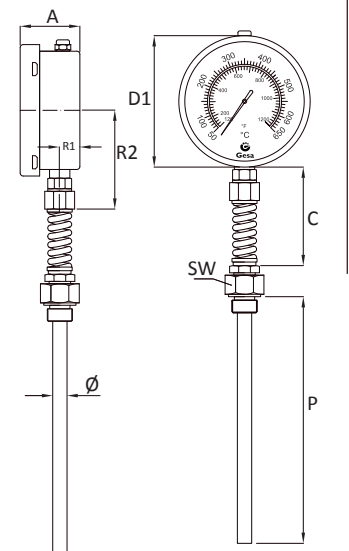
MATERIALS

Case and ring: AISI 304 Stainless steel
Moving parts and bourdon tube: Copper alloy
Threaded connection: AISI 304 Stainless steel
Display: Glass
Dial: White lacquered aluminum
Pointer: Black lacquered aluminum
Stem: AISI 316 Stainless steel

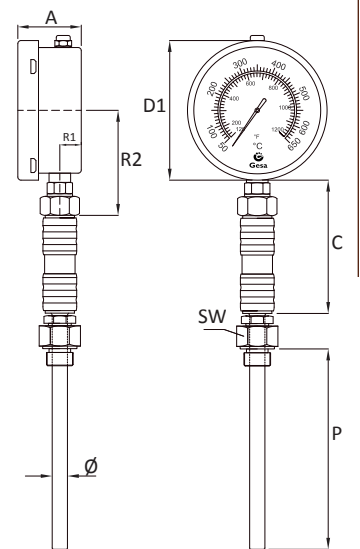
Application:

- Engines
- HVAC

A Spring



B Silent block (mesh)



DIMENSIONS (mm)

WEIGHT (g)

DN	Tipo	R1	A	D1	Ø	R2	SW	C	WEIGHT (g)
Ø100	A	12	50	112	12	83	27	103	1020
Ø100	B	12	50	112	12	84	27	130	1020

Temperature scale according to DIN 16206

Scale printed on the dial (°C)	Working range (°C)	Subdivision °C/line	Maximum error
+50+650	+100+600	10	10

How to order

1.Vibration damping system		2.Stem length (mm)		3.Process connection		4.Threaded connection	
A	B	150	300	Sliding on stem	1/2" BSP	3/8" BSP	M20x150
		200	400		1/2" NPT	3/4" BSP	M22x150
5.Connection type		6.Connection material		7.Calibration certificate traceable to ENAC			
Male	Female	AISI 316 Stainless steel		3 points	6 points	More on demand	
				4 points	7 points		
				5 points	Without certificate		

D22 - 1 2 3 4 5 6 7

www.termometros.com

Order it online!

+34 94 676 63 64

info@termometros.com





Gas expansion thermometers manufactured according to **EN 13190** standard. Reliable tools that withstand extreme working conditions: engine vibration, humidity and aggressive media such as seawater.

Especially designed to measure the temperature of the exhaust gases of the engines. The pyrometer box is filled with silicon oil serving as a vibration dampener.

STANDARD PARAMETERS

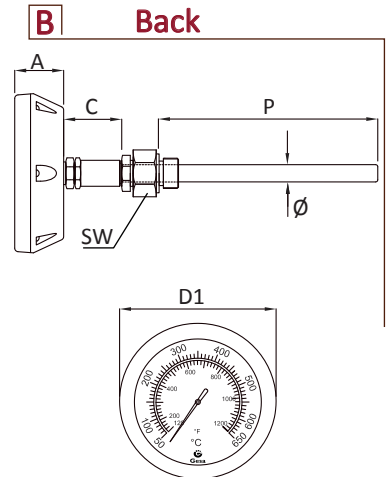
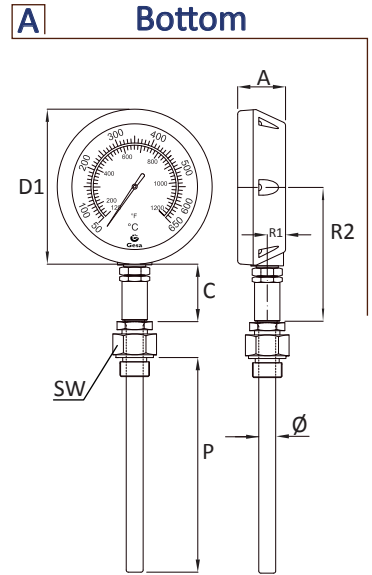
- Design: **EN 13190**
- Mounting: See attached diagrams **A** or **B**
- Closing: Ring threaded to case. Sealed by rubber gasket
- IP protection: IP65 (**EN 60529**)
- Accuracy: Class 1.6
- Temperature limits:
 - Room temperature: -40+65°C
 - Fluid overtemperature: maximum 15% end of scale
 - Max. pressure on stem: 50 bar
- Temperature range: +50+650 °C/°F
- Sensor element: Bourdon tube (Inert gas expansion)
- Stem length (P): **150; 200; 300; 400** mm
- Process connection: Sliding on the stem
- Threaded connection: ½" BSP, ½" NPT, ¾" BSP, ¾" BSP, M20x150 or M22x150
- Antivibration liquid: Silicon oil
- Vibration damping system: Rigid

MATERIALS

- Case and ring: Black anodized aluminum
- Moving parts and bourdon tube: Copper alloy
- Threaded connection: AISI 304 Stainless steel
- Display: Glass
- Dial: White lacquered aluminum
- Pointer: Black lacquered aluminum
- Stem: AISI 304 Stainless steel

Application:

- Engines
- HVAC



DIMENSIONS (mm)									WEIGHT (g)
DN	Mounting	R1	A	D1	Ø	R2	SW	C	
Ø100	A	12	32	118	12	100	27	42	877
Ø100	B	-	32	118	12	-	27	42	877

Temperature scale according to DIN 16206			
Scale printed on the dial (°C)	Working range (°C)	Subdivision °C/line	Maximum error
+50+650	+100+600	10	10

How to order

- | | | | | |
|---|---|---|---|---|
| 1. Mounting
A B | 2. Stem length (mm)
150 300
200 400 | 3. Process connection
Sliding on stem | 4. Threaded connection
½" BSP ¾" BSP M20x150
½" NPT ¾" BSP M22x150 | 5. Connection type
Male
Female |
| 6. Connection material
AISI 304 Stainless steel | 7. Calibration certificate traceable to ENAC
3 points 6 points
4 points 7 points
5 points Without certificate | | | |

D23 -

ING1.0

www.termometros.com

Order it online!

+34 94 676 63 64

info@termometros.com



D 31

Dial thermometer with capillary in stainless steel



Gas expansion thermometers manufactured according to EN 13190 standard
 Reliable tools that withstand extreme working conditions: engine vibration, humidity and aggressive media such as seawater.
 Bottom connection to panel through back flange.

Especially designed for remotely measuring temperatures in chemical, petroleum and food industries.



STANDARD PARAMETERS

- Design: **EN 13190**
- Mounting: See attached diagram **C**
- Closing: Bayonet. Sealed by rubber gasket
- IP protection: IP65 (**EN 60529**)
- Accuracy: Class 1.6
- Temperature limits:
 - Room temperature: -40+60°C
 - Fluid overtemperature: maximum 10% end of scale
 - Max. pressure on stem: 25 bar. For upper pressures see C0301
- Temperature range: **0+120; 0+200; 0+400; +50+650 °C/°F**
- Sensor element: Bourdon tube (Inert gas expansion). Room temperature compensator by bimetallic strip
- Capillary length (L): **3; 5; 8 m**
- Stem length (P): **150; 250 mm**
- Process connection: **Plain Bulb, Sliding on the stem or crazy nut**
- Threaded connection: **½" BSP, ½" BSPT, ½" NPT, ¾" BSP, ¾" BSP, M20x150 or M22x150**
- Antivibration liquid: **Glycerine or dry**
- Overtemperature relief system: Upper plug

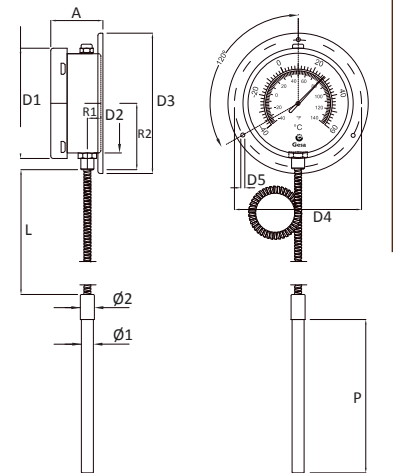
MATERIALS

- Case and ring: AISI 304 Stainless steel
- Moving parts and bourdon tube: Copper alloy
- Capillary: AISI 304 Stainless steel
- Display: Glass
- Dial: White lacquered aluminum
- Pointer: Black lacquered aluminum
- Capillary coating: AISI 304 Stainless steel
- Bulb/Stem: AISI 304 Stainless steel
- Threaded connection: **AISI 304 Stainless steel or Brass**

Application:

- Chemical Industry
- Oil industry
- Food
- HVAC
- Cooling

C Bottom with back flange



DIMENSIONS (mm)											WEIGHT (g)			Temperature scale according to DIN 16206				
DN	Mounting	A	Ø1	Ø2	R1	R2	D1	D2	D3	D4	D5	L=3m	L=5m	L=8m	Scale printed on the dial (°C)	Working range (°C)	Subdivision °C/line	Maximum error
Ø100	C	52	10	12	14	67	110	100	140	124	4	782	835	1016	0+120 0+200	+20+100 +20+180	2	3
Glycerine +271g															0+400 +50+650	+50+350 +100+600	5 10	8 10

How to order

1. Temperature range (°C)				2. Stem length (mm)				3. Process connection				4. Threaded connection				
0+120	0+200	0+400	+50+650	150	250	Crazy nut	Sliding on stem	Plain bulb	½" BSP	¾" BSP	M20x150	M22x150	½" NPT	¾" BSP	½" BSPT	More on demand
5. Connection type				6. Connection material				7. Antivibration liquid				8. Calibration certificate traceable to ENAC				
Male	Female	Brass	AISI 304 Stainless steel	Glycerine	Dry	3 points	4 points	5 points	6 points	7 points	Without certificate					

D31 -

www.termometros.com

Order it online!

+34 94 676 63 64

info@termometros.com



D6



Gas expansion thermometers manufactured according to **EN 13190** standard
 Reliable tools that withstand extreme working conditions: engine vibration, humidity and aggressive media such as seawater.

Especially designed to measure temperatures remotely.

STANDARD PARAMETERS

- Design: **EN 13190**.
- Mounting: See attached diagram **C**
- Closing: Bayonet. Sealed by rubber gasket
- IP protection: **IP56 (EN 60529)**
- Accuracy: Class 1.6
- Temperature limits:
 - Room temperature: -40+60°C
 - Fluid overtemperature: maximum 10% end of scale
 - Max. pressure on stem: 25 bar. For upper pressures see C0301
- Temperature range: -60+40 °C
- Sensor element: Bourdon tube (Inert gas expansion). Room temperature compensator by bimetallic strip
- Capillary length (L): **3; 5; 8 m**
- Stem length (P): 100 mm
- Process connection: **Plain Bulb, Sliding on the stem or crazy nut**
- Threaded connection: **½" BSP, ½" BSPT, ½" NPT, ¾" BSP, ¾" BSP, M20x150 or M22x150**
- Overtemperature relief system: Upper plug

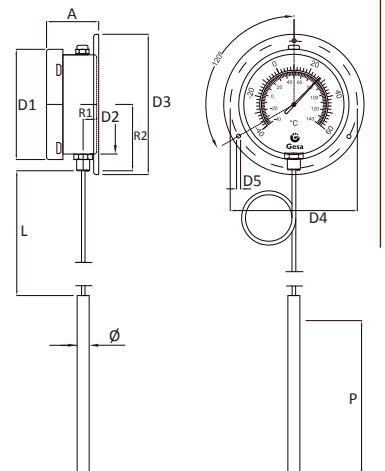
MATERIALS

- Case and ring: **AISI 304 Stainless steel**
- Moving parts and bourdon tube: **Copper alloy**
- Capillary: **AISI 304 Stainless steel**
- Display: **Glass**
- Dial: **White lacquered aluminum**
- Pointer: **Black lacquered aluminum**
- Capillary coating: **PVC**
- Bulb/Stem: **AISI 304 Stainless steel**
- Threaded connection: **AISI 304 Stainless steel or Brass**

Application:

- Chemical Industry
- Oil industry
- Food
- HVAC
- Cooling

C Bottom with back flange



DIMENSIONS (mm)											WEIGHT (g)			Temperature scale according to DIN 16206			
DN	Mounting	A	Ø	R1	R2	D1	D2	D3	D4	D5	L=3m	L=5m	L=8m	Scale printed on the dial (°C)	Working range (°C)	Subdivision °C/line	Maximum error
Ø100	C	41	8	14	67	110	100	140	124	4	448	483	542	+50+650	+100+600	10	10

How to order

1. Temperature range (°C) 0+120 0+200 0+400 0+50+650				2. Stem length (mm) 150 250		3. Process connection Crazy nut Sliding on stem Plain bulb				4. Threaded connection ½" BSP ¾" BSP M20x150 M22x150 ½" NPT ¾" BSP ½" BSPT More on demand			
5. Connection type Male Female		6. Connection material Brass AISI 316 Stainless steel		7. Calibration certificate traceable to ENAC 3 points 6 points 4 points 7 points 5 points Without certificate									

D32 -

www.termometros.com

Order it online!

+34 94 676 63 64

info@termometros.com

ING1.0



D 33

Dial thermometer with plastic case and copper capillary



Gas expansion thermometers with Bourdon elastic element and an environmental temperature compensator through bimetallic strip. These simple instruments are especially designed to measure temperatures remotely in cooling and refrigeration chambers.

STANDARD PARAMETERS

Design: EN 13190
Mounting: See attached diagram B
Closing: Bayonet. Sealed by rubber gasket
IP protection: IP43
Accuracy: Class 2.5
Temperature range: -40+40 or 0+120 °C
Sensor element: Bourdon tube (Inert gas expansion). Room temperature compensator by bimetallic strip
Capillary length (L): 1m
Stem length (P): 100 mm
Process connection: Plain bulb

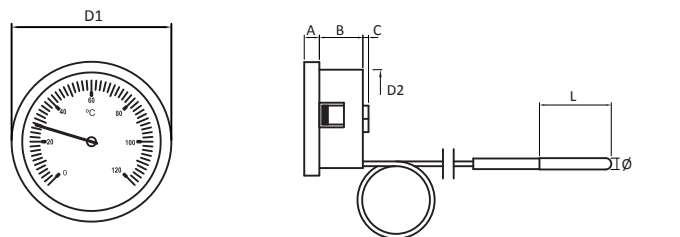
MATERIALS

Case and ring: Polyethylene
Moving parts and bourdon tube: Copper alloy
Bulb/stem: Copper alloy
Display: Polyethylene
Dial: Polyethylene
Pointer: Polyethylene
Capillary coating: PVC
Stem: Copper alloy

Application:

- Chemical Industry
- Food
- HVAC
- Cooling

B Back



DIMENSIONS (mm)									WEIGHT (g)	Temperature scale according to DIN 16206			
DN	Mounting	A	Ø	B	C	D1	D2	L		Scale printed on the dial (°C)	Working range (°C)	Subdivision °C/line	Maximum error
Ø50	C	8	6	23	3	58	52	30	57	-40+40	-30+30	1	2
										0+120	+20+100	2	3

How to order

1. Case diameter	2. Temperature range (°C)	3. Mounting	4. Stem length (mm)
Ø50	-40+40 0+120	B	30
5. Process connection	6. Calibration certificate traceable to ENAC		
Plain bulb	3 points 4 points	5 points 6 points	7 points Without certificate

D33 - 1 2 3 4 5 6

www.termometros.com

Order it online!

+34 94 676 63 64

info@termometros.com





For any oven, especially designed to be placed in the mouth of large furnaces.

Easy installation and handling. Connection via frontal flange, perfect for paneling.

Do not expose to fire directly.

STANDARD PARAMETERS

Design: **EN 13190**

Mounting: See attached diagram **B**

Closing: Sealed ring

IP protection: IP56

Accuracy: Class 1.6

Temperature range: 0+600°C

Sensor element: Bimetallic strip

Stem length (L): **100; 150; 200; 300; 400** or 500 mm

Connection to the furnace/oven: Through frontal flange

MATERIALS

Case and ring: AISI 304 Stainless steel

Moving parts and bimetallic stripe: Copper alloy

Display: Glass

Dial: White lacquered aluminum

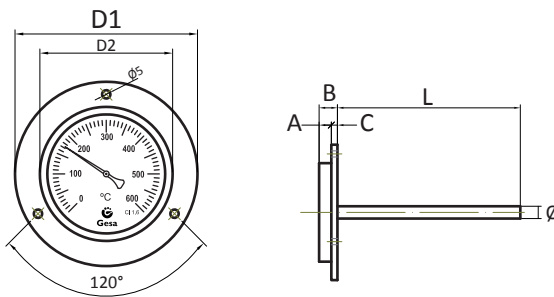
Pointer: Black lacquered aluminum

Stem: AISI 304 Stainless steel

Application:

- Furnaces / Kilns
- Wood fired ovens

B Back



DIMENSIONS (mm)							WEIGHT (g)			Temperature scale according to DIN 16206				
DN	Mounting	A	Ø	B	C	D1	D2	L=150mm	L=300mm	L=500mm	Scale printed on the dial (°C)	Working range (°C)	Subdivision °C/line	Maximum error
Ø100	B	10	10	15	5	110	80	168	214	294	0+600	+50+550	10	10

How to order

1. Case diameter	2. Temperature range (°C)	3. Mounting	4. Stem length in mm (L)	5. Calibration certificate traceable to ENAC
Ø110	0+600	B	100 200 400 150 300 500	3 points 6 points 4 points 7 points 5 points Without certificate

D 41 -

1	2	3	4	5
---	---	---	---	---

ING1.0



Bimetallic thermometer with brass stem and protection sheath for oven

For any oven, especially designed to be placed in the mouth of large furnaces.

Easy installation and handling. Direct connection using a protection sheath.

Do not expose to fire directly.



STANDARD PARAMETERS

Design:	EN 13190
Mounting:	See attached diagram B
Closing:	Embedded
IP protection:	IP56
Accuracy:	Class 1.6
Temperature range:	0+500°C
Sensor element:	Bimetallic strip
Stem length (L):	150; 200; 300; 400 or 500 mm
Connection to the furnace/oven:	Through protection sheath with 1/2" BSP thread

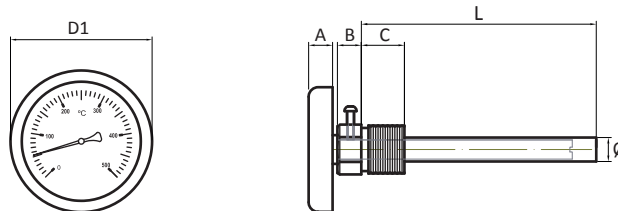
MATERIALS

Case and ring:	Zincked steel
Moving parts and bimetallic strip:	Copper alloy
Display:	Glass
Dial:	White lacquered aluminum
Pointer:	Black lacquered aluminum
Stem and protection sheath:	Brass

Application:

- Furnaces / Kilns
- Wood fired ovens

B Back



DIMENSIONS (mm)							WEIGHT (g)			Temperature scale according to DIN 16206			
DN	Mounting	A	Ø	B	C	D1	L=150mm	L=300mm	L=500mm	Scale printed on the dial (°C)	Working range (°C)	Subdivision °C/line	Maximum error
Ø63	B	10	10	10	18	63	123	142	172	0+500	+50+450	10	10

How to order

1. Case diameter	2. Temperature range (°C)	3. Mounting	4. Stem length in mm (L)	5. Process connection
Ø63	0+500	B	150 300 500 200 400	Plain bulb Protection sheath
6. Calibration certificate traceable to ENAC				
3 points	5 points	7 points		
4 points	6 points	Without certificate		

D 42 -

www.termometros.com

Order it online!

+34 94 676 63 64

info@termometros.com



Especially designed to be placed in oven doors and iron stoves. Does not include protection sheath. It is recommended not to expose the thermometer to fire directly.
Installation is very simple, a way through the door of sufficient diameter is required, once inserted the rod a threaded ring fastens the instrument to the door.



STANDARD PARAMETERS

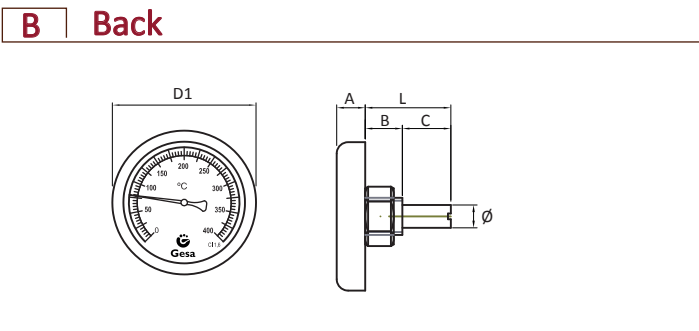
- Design: **EN 13190**
- Mounting: See attached diagram **B**
- Closing: Embedded
- IP protection: IP56
- Accuracy: Class 1.6
- Temperature range: 0+400°C
- Sensor element: Bimetallic strip
- Stem length (L): 30 mm
- Connection to the furnace/oven: Through a threaded nut

MATERIALS

- Case and ring: AISI 304 Stainless steel
- Moving parts and bimetallic strip: AISI 316 Stainless steel
- Display: Glass
- Dial: White lacquered aluminum
- Pointer: Black lacquered aluminum
- Stem: AISI 304 Stainless steel

Application:

- Furnaces / Kilns
- Wood fired ovens



DIMENSIONS (mm)									WEIGHT (g)	Temperature scale according to DIN 16206			
DN	Mounting	A	B	D1	Ø	L	SW	C		Scale printed on the dial (°C)	Working range (°C)	Subdivision °C/line	Maximum error
Ø40	B	10	35	42	8	55	27	20	54	0+400	+50+350	5	8
Ø50	B	10	13	52	8	30	27	17	57				

How to order

1. Case diameter	2. Temperature range (°C)	3. Mounting	4. Stem length in mm (L)	5. Calibration certificate traceable to ENAC
Ø40 Ø50 ⇨	0+400 ⇨	B ⇨	30 ⇨	3 points 6 points 4 points 7 points 5 points Without certificate

D 43 -

ING1.0

www.termometros.com

Order it online!

+34 94 676 63 64

info@termometros.com



D 44

Bimetallic thermometer for oven



This is an oven thermometer in stainless steel with a Ø55mm dial and color coded areas.

The green section indicates the minimum temperature at which should be preserved food trays in the catering sector.

It also has a stand to place it upright and a ring to hang it from oven trays or shelves.



STANDARD PARAMETERS

Design: EN 13190
Mounting: See attached diagram
Closing: Embedded
IP protection: IP56
Accuracy: Class 1.6
Temperature range: 0+300°C
Sensor element: Bimetallic strip
Oven placement: Place thermometer in the central area
Weight: 48g

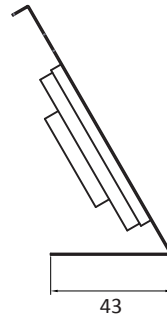
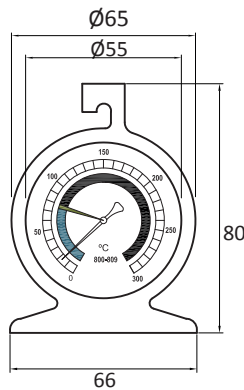
MATERIALS

Case and ring: Stainless steel
Moving parts and bimetallic strip: Copper alloy
Display: Glass
Dial: White lacquered aluminum
Pointer: Black lacquered aluminum

Application:

- Kitchen ovens
- Wood fired ovens
- Catering

DIMENSIONS (mm)



Temperature scale according to DIN 16206

Scale printed on the dial (°C)	Working range (°C)	Subdivision °C/line	Maximum error
0+300	+50+250	10	10

How to order

1. Case diameter

Ø55

2. Temperature range (°C)

0+300

3. Calibration certificate traceable to ENAC

3 points
4 points

5 points
6 points

7 points
Without certificate

D 44 -

1	2	3

www.termometros.com

Order it online!

+34 94 676 63 64

info@termometros.com



Bimetallic thermometer for catering with penetration probe

This thermometer is specifically designed to measure the full range of temperatures in any kitchen. It is useful for restaurants or amateurs to check the right temperature in their cooking processes.

These thermometers need to be left in place for a few seconds in order to generate a stable reading, it may also be left in place in refrigerators, cold chambers or any controlled environments that requires regular temperature readings. It also includes a protective cover for the probe.



STANDARD PARAMETERS

Design: **EN 13190**

Mounting: See attached diagram

Closing: Embedded

IP protection: IP56

Accuracy: Class 1.6

Temperature range: -40+70°C

Sensor element: Bimetallic strip

Weight: 24g

MATERIALS

Case and ring: Stainless steel

Moving parts and bimetallic strip: Copper alloy

Display: Acrylic

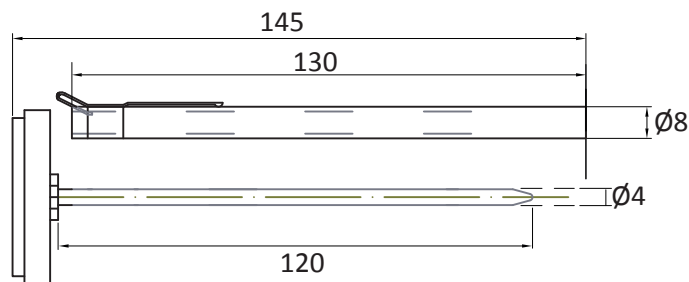
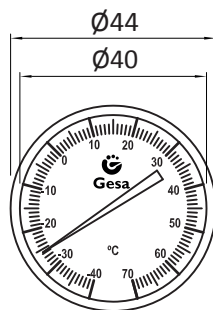
Dial: White lacquered aluminum

Pointer: Black lacquered aluminum

Application:

- Kitchen
- Meat
- Refrigerators

DIMENSIONS (mm)



Temperature scale according to DIN 16206

Scale printed on the dial (°C)	Working range (°C)	Subdivision °C/line	Maximum error
-40+70	-30+60	1	1.5

How to order

1. Case diameter

Ø40

2. Temperature range (°C)

-40+70

3. Stem length in mm

120

4. Calibration certificate traceable to ENAC

3 points 6 points
4 points 7 points
5 points Without certificate

D 51 - 1 2 3 4

ING1.0



Thermometer with spring attachment for pipes.

This thermometer can be placed non-invasively in installations making it an effective and versatile control tool.



STANDARD PARAMETERS

Design: EN 13190
Mounting: See attached diagram
Closing: Embedded
IP protection: IP56
Accuracy: Class 2.0
Temperature range: 0+120 or 0+200°C
Sensor element: Bimetallic strip
Weight: 54g

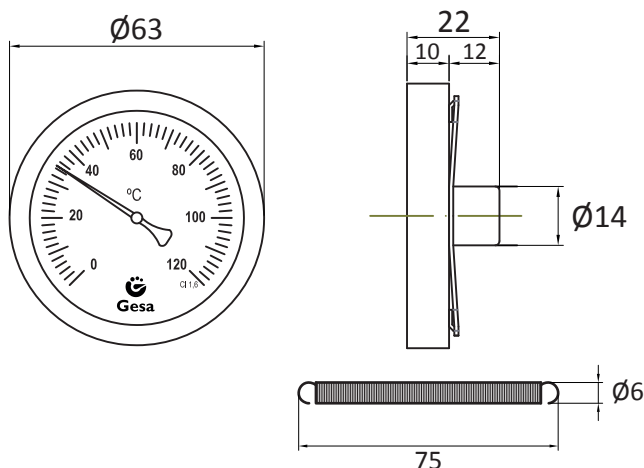
MATERIALS

Case and ring: Zincked steel
Moving parts and bimetallic strip: Copper alloy
Display: Glass
Dial: White lacquered aluminum
Pointer: Black lacquered aluminum

Application:

- Heating systems
- Piping

DIMENSIONS (mm)



Temperature scale according to DIN 16206

Scale printed on the dial (°C)	Working range (°C)	Subdivision °C/line	Maximum error
0+120	20+100	2	1.5
0+200	20+180	5	8

How to order

1. Case diameter

Ø63



2. Temperature range (°C)

0+120

0+200



3. Calibration certificate traceable to ENAC

3 points
4 points

5 points
6 points

7 points
Without certificate

D 61 -

1	2	3



Milk frothing thermometer for barista

This thermometer for milk or coffee incorporates a dial with a °C/°F scale and color coded areas indicating the optimum cooking temperature, this makes them simple and easy to use. Each thermometer is supplied with a jug mounting probe clip for a perfect fit to jars or any other containers. It also includes a protective cover for the probe.



STANDARD PARAMETERS

Sensor element: Bimetallic strip
 Temperature range: -10 to 110°C
 Temperature scale: °C/F
 Probe dimensions: Ø4x175mm
 Dial diameter: Ø45

MATERIALS

Clip, stem and ring: AISI 304 Stainless steel
 Display: Glass

Application:

- Cafeteria
- Barista

How to order

1. Calibration certificate traceable to ENAC

- | | |
|----------|---------------------|
| 3 points | 6 points |
| 4 points | 7 points |
| 5 points | Without certificate |

800-800 -

1

Clip thermometer for fryers

This stainless steel thermometer for fryers measures the oil temperature in any type of fryer in a range from 0 to 300°C. Simply insert the thermometer stem into the oil for accurate temperature reading. The dial is marked with the ideal temperature for frying meat, poultry, fish or chips.



STANDARD PARAMETERS

Sensor element: Bimetallic strip
 Temperature range: 0 to 300°C
 Temperature scale: °C
 Probe dimensions: Ø4x150mm
 Dial diameter: Ø50

MATERIALS

Clip, stem and ring: AISI 304 Stainless steel
 Display: Glass

Application:

- Restaurants
- Cafeteria
- Kitchen

How to order

1. Calibration certificate traceable to ENAC

- | | |
|----------|---------------------|
| 3 points | 6 points |
| 4 points | 7 points |
| 5 points | Without certificate |

800-805 -

1

Poultry oven thermometer

The poultry oven thermometer ensures perfect and precisely cooked poultry. Insert the thermometer into the thickest part of the chicken, turkey or similar (between the thigh and chest) before putting it in the oven.

The poultry will be ready when the dial reaches the green area (+ 85°C).



STANDARD PARAMETERS

Sensor element: Bimetallic strip
 Temperature range: 85°C
 Temperature scale: °C
 Probe dimensions: Ø4x55mm
 Dial diameter: Ø20

MATERIALS

Stem and ring: AISI 304 Stainless steel
 Display: Glass

Application:

- Restaurants
- Kitchen ovens


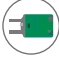






















ING1.0

How to order

Reference: 800-850



Caption for the symbols

-  ENAC traceable calibration
-  Compatible with K-type thermocouple probes
-  Compatible with PT100 probes
-  Compatible with Lumberg connectors
-  Measures relative humidity
-  MED Calculation of average temperature
-  Sound alarm
-  Dif. Calculation of differential temperature
-  MAX MIN Memory for maximum and minimum temperature
-  Backlit display
-  Infrared
-  Auto OFF Auto off system for battery saving
-  Folding probe
-  IPXX IP protection against ingress of water and dust
-  Timer
-  360 Automatic screen rotation
-  HACCP Suitable for use in food processing
-  1m Probe included / The number indicates the cable length
-  Biomaster protection Antibacterial silver-based additive in plastic housing
-  CAL check Fine adjustment to 0.0°C
-  Registration data in the form of graphs and tables
-  PDF Data report generation in PDF
-  Multiuse The instrument can be used multiple times
-  1 use The instrument is single use

Wall room thermometers



Reference: **803-304**

Max/min thermometer with adjustable roof

STANDARD PARAMETERS

Sensor element: Liquid expansion
 Temperature Range: -40 to 50°C
 Scale: Celsius (°C)
 Dimensions: 227x90x45mm

MATERIALS

ABS plastic

Application:

- Home
- Outdoor
- Greenhouses
- Cold rooms



Reference: **803-410**

Standard wall thermometer

STANDARD PARAMETERS

Sensor element: Liquid expansion (blue alcohol)
 Temperature Range: -30 to 50°C
 Scale: Celsius (°C)
 Dimensions: 207x55x10mm

MATERIALS

ABS plastic

Application:

- Home
- Outdoor
- Greenhouses
- Cold rooms



Reference: **803-413**

Standard wall thermometer

STANDARD PARAMETERS

Sensor element: Liquid expansion (blue alcohol)
 Temperature Range: -30 to 50°C
 Scale: Celsius (°C)
 Dimensions: 265x66x10mm

MATERIALS

ABS plastic

Application:

- Home
- Outdoor
- Greenhouses
- Cold rooms



Reference: **803-471**

Double scale aluminium thermometers

STANDARD PARAMETERS

Sensor element: Liquid expansion (blue alcohol)
 Temperature Range: -10 to 100°C
 Scale: Celsius-Fahrenheit (°C/F)
 Dimensions: 250x50mm

MATERIALS

Aluminium

Application:

- Home
- Outdoor
- Greenhouses
- Cold rooms
- Saunas



Reference: **803-472**

Double scale aluminium thermometers

STANDARD PARAMETERS

Sensor element: Liquid expansion (blue alcohol)
 Temperature Range: -30 to 50°C
 Scale: Celsius-Fahrenheit (°C/F)
 Dimensions: 250x50mm

MATERIALS

Aluminium

Application:

- Home
- Outdoor
- Greenhouses
- Cold rooms



Fridge and freezer thermometers

These fridge and freezer thermometers will ensure your fridge or freezer is always at the correct temperature, keeping your food healthy and safe to eat.



Reference: **800-000**

Dial fridge or freezer thermometer

STANDARD PARAMETERS

Sensor element: Bimetallic strip
 Temperature Range: -30 to 30°C
 Scale: Celsius (°C)
 Dimensions: Ø70x60mm
 Fixation: hung or free-standing

MATERIALS

Housing: ABS plastic



Application:

- Fridges
- Refrigerators
- Cold rooms



Reference: **800-100**

Dial fridge or freezer thermometer

STANDARD PARAMETERS

Sensor element: Bimetallic strip
 Temperature Range: -30 to 30°C
 Scale: Celsius (°C)
 Dimensions: Ø52mm
 Fixation: Hung

MATERIALS

Housing: ABS plastic



Application:

- Fridges
- Refrigerators
- Cold rooms



Reference: **800-923**

Dial fridge or freezer thermometer

STANDARD PARAMETERS

Sensor element: Bimetallic strip
 Temperature Range: -30 to 30°C
 Scale: Celsius (°C)
 Dimensions: Ø50x60mm
 Fixation: hung or free-standing

MATERIALS

Housing: Stainless steel AISI 304



Application:

- Fridges
- Refrigerators
- Cold rooms



Reference: **803-925**

Double scale fridge thermometer

STANDARD PARAMETERS

Sensor element: Liquid expansion
 Temperature Range: -40 to 20°C
 Scale: Celsius-Fahrenheit (°C/F)
 Dimensions: 122x30x20mm
 Fixation: Hung

MATERIALS

Housing: ABS plastic and Stainless steel fixations



Application:

- Fridges
- Refrigerators
- Cold rooms

ING1.0



Thermometers for different applications

Soil thermometer

This thermometer is specifically designed to measure soil temperature. The housing design makes it easy to insert and protects it from dirt.

This thermometers needs to be left in place for a few seconds in order to generate a stable reading.

A regular wipe down is recommended in order to remove any debris that may have adhered.

STANDARD PARAMETERS

Sensor element: Liquid expansion (red alcohol)

Temperature Range: -10 to 110°C

Scale: Celsius (°C)

Dimensions: Ø10x30mm

MATERIALS

Housing: ABS plastic

Application:

- Greenhouses
- Crops
- Climatology



Reference: 803-795

Thermometer for pools and fish farms

Floating thermometer to adequate water temperature in pools, ponds and fish farms.

It also includes a string that allows it to be tied in a fixed position or to recover it from distance measurements.

STANDARD PARAMETERS

Sensor element: Liquid expansion (blue alcohol)

Temperature Range: 0 to 50°C / 30 to 120°F

Scale: Celsius-Fahrenheit (°C/F)

Dimensions: Ø50x60mm

MATERIALS

Housing: ABS plastic

Application:

- Pools
- fish farms



Reference: TPISCF 0-50

Solid-stem thermometer with stainless steel pocket

Solid stem glass thermometers protected by a stainless steel sheath with a ring at the upper side for hanging.

This thermometer is still the choice of most reliable for measuring the temperature in liquids such as water or others of a more corrosive nature.

STANDARD PARAMETERS

Sensor element: Liquid expansion (blue alcohol)

Temperature Range: -40 to 40 / -10 to 110 / -10 to 80°C

Scale: Celsius (°C)

Glass insert: Ø6x150mm

Pocket length: Ø10x170mm

MATERIALS

Rod: Glass

Sheath: Stainless steel AISI 304

Application:

- Conditioning
- Refrigeration
- Hiking
- Naval engine



Reference: W0101FUNDA

Thermometer for wort and dairies

This glass thermometer with opal scale is ideal for its use in must factories or dairies. The thermometer has a protective wire cage with a hanging ring.

STANDARD PARAMETERS

Sensor element: Liquid expansion (blue alcohol)

Temperature Range: -40 to 40

Scale: Celsius (°C)

Glass insert: Ø6x150mm

Sheath length: Ø30x350mm

MATERIALS

Rod: Glass

Sheath: Wire

Scale: Opal

Application:

- Wort
- Dairies



Reference: F010144CAJAJULA



Opal scale thermometers

Thermometer for fish

Long operational life without maintenance, its spiky finishing allows you to measure temperatures in fish or other foods.



Reference: **B-170**

STANDARD PARAMETERS	
Sensor element: Liquid expansion	
Temperature Range: -10 to 60°C / -40 to 40°C / 0 to 100°C	
Scale: Celsius (°C)	
Sheath dimensions: Ø16x165mm	Sheath stem dimensions: Ø6x125mm
Opal scale dimensions: Ø11x140mm	Rod dimensions: Ø3x90mm
Weight: 94g	

MATERIALS	
Sheath: Stainless steel AISI 316	
Rod: Glass with opal scale	

Application:

- Frozen food



Oil tank thermometer

Glass thermometer with opal scale, brass protection sheath and upper clamp ring. The sheath can be easily disassembled to replace the rod in case of break. Its rugged construction makes it durable and its simplicity prevents costly maintenance.



The deposit allows sample collection and thus remote reading.

The different temperature ranges make this instrument useful for a wide variety of applications such as frigorific chambers, naval engines, HVAC, etc.

STANDARD PARAMETERS	
Sensor element: Liquid expansion	
Temperature Range: -10 to 60°C / -40 to 40°C / 0 to 100°C/°F	
Scale: Celsius(°C) or Celsius-Fahrenheit (°C/F)	
Sheath dimensions: Ø22x250mm	
Opal scale dimensions: Ø18x190mm	Rod stem dimensions: Ø7x50mm
Weight: 200g	

MATERIALS	
Sheath: Brass	
Rod: Glass with opal scale	

Application:

- Liquid samples
- Tanks
- Seawater



Reference: **Petrolero**

Opal scale thermometer with brass sheath

Glass thermometer with opal scale, brass protection sheath and upper clamp ring. The sheath can be easily disassembled to replace the rod in case of break. Its rugged construction makes it durable and its simplicity prevents costly maintenance.



The different temperature ranges make this instrument useful for a wide variety of applications such as frigorific chambers, naval engines, HVAC, etc.

STANDARD PARAMETERS	
Sensor element: Liquid expansion	
Temperature Range: -10 to 60°C / -40 to 40°C / 0 to 100°C/°F	
Scale: Celsius(°C) or Celsius-Fahrenheit (°C/F)	
Sheath dimensions: Ø22x250mm	
Opal scale dimensions: Ø18x190mm	Rod stem dimensions: Ø7x50mm
Weight: 190g	

MATERIALS	
Sheath: Brass	
Rod: Glass with opal scale	

Application:

- Tanks
- Cold rooms



Reference: **B-175**

ING1.0





Reference: Tempmate M1

Multi-Use temperature Datalogger Tempmate® M1

Designed to control the temperature in fixed locations such as warehouses, cold stores and industrial freezers.

It is also useful for monitoring the cold chain shipments sensitive to temperature changes such as pharmaceuticals, vaccines or food. The instrument incorporates USB port and generates automatic reports in PDF or Excel datasheet.

STANDARD PARAMETERS

Measuring range: -30 to 70°C / -22 to 158°F	Scale: Celsius-Fahrenheit (°C/F)
Sensor element: NTC internal sensor	
Response time: 11 minutes	
Resolution: 0.1°C / °F	
Accuracy: ±0.5°C / ±0.9°F (-20 to 40°C)	
Recording interval: Programmable from 10 seconds to 24 hours	
Recording time: Programmable up to 12 months (depending on Recording interval)	
Memory: 32.000 readings	
Alarm type: Simple / Cumulative	
Alarm range: Adjustable up to 5 alarm limits	
IP protection: IP67	
Battery: 1x 3 volts CR2032 lithium coin cell (Replaceable)	
Battery life: 1 year (continuous use)	
Dimensions: 80x34x14mm	Weight: 25g
Data report: Autogenerated PDF or Excel (requires PDF reader or TempBase software)	
PC connection: USB connector	
Software: TempBase	

MATERIALS

Housing: ABS plastic Display: LCD

Application:

- Laboratories
- Cold storage
- Cold chain
- Pharmaceuticals



Accessories



Reference: TSN100

External probe -40 to 90°C

This external probe with NTC sensor and range of -40 to 90°C reduces the response time of the M1 datalogger to just 30 seconds. Besides its 1-meter wire allows for distance measurements.



Reference: ACB100

Magnetic wall bracket

This support includes two magnets to adhere to metal surfaces and two screws enabling their fastening in any non-metal surface.

Single use temperature Datalogger Tempmate® S1

Designed to preserve the integrity of the cold chain. It monitors the temperature of goods from the supplier warehouses to the customer's.

The instrument incorporates USB port and generates automatic reports in PDF.

STANDARD PARAMETERS

Measuring range: -30 to 70°C / -22 to 158°F	Scale: Celsius-Fahrenheit (°C/F)
Sensor element: NTC internal sensor	
Resolution: 0.1°C / °F	
Accuracy: ±0.5°C / ±0.9°F (-20 to 40°C)	
Recording interval: 1 minute / 2 minutes / 3 minutes / 6 minutes	
Recording time: 10 days / 15 days / 30 days / 60 days	
Memory: 12.960 readings	
Alarm type: Simple / Cumulative	
Alarm range: Adjustable up to 5 alarm limits	
IP protection: IP67 / NEMA 6	
Battery: 1x 3 volts CR2032 lithium coin cell (not replaceable)	
Battery life: 1 year (continuous use)	
Dimensions: 88x47x4mm	Weight: 10g
Data report: Autogenerated PDF (requires PDF reader)	
PC connection: USB connector	

MATERIALS

Housing: ABS plastic Display: LED

Application:

- Transport
- Cold storage
- Cold chain
- Pharmaceuticals



Reference: Tempmate S1

ING1.0





Reference: 810-145

Max / Min Therma-Hygrometer

Therma-hygrometer with dual LCD screen that simultaneously displays temperature and humidity readings displayed and recorded maximum and minimum. A rear folding stand and slot allow placement in both flat surfaces and walls.

STANDARD PARAMETERS

Sensor element (Temperature / Humidity): Thermistor / Capacitor
 Measuring range (Temp. / Hum.): 0 to 50°C / 10 to 99%rh
 Scale (Temp. / Hum.): Celsius-Fahrenheit (°C/F) / Relative humidity
 Resolution (Temp. / Hum.): 0.1°C / 1%
 Accuracy (Temp. / Hum.): ±1°C / ±5%
 Battery: 1x1.5 volts AAA
 Battery life: 10.000 hours
 Dimensions: 20x100x110mm
 Weight: 135g

MATERIALS

Housing: ABS plastic Display: LCD Dual

Application:

- Control
- Storage
- Greenhouse
- Domestic use



*Temperature only calibration

Max / Min Therma-Hygrometer with external probe

Therma-hygrometer with dual LCD screen that simultaneously displays temperature and humidity readings displayed and recorded maximum and minimum. It also includes an external 3m cable probe. A rear folding stand and slot allow placement in both flat surfaces and walls

STANDARD PARAMETERS

Sensor element (Temperature / Humidity): Thermistor / Capacitor
 Measuring range internal sensor: 0 to 50°C
 Measuring range external probe (Temp. / Hum.): -20 to 70°C / 10 to 99%rh
 Scale (Temp. / Hum.): Celsius-Fahrenheit (°C/F) / Relative humidity
 Resolution (Temp. / Hum.): 0.1°C / 1%
 Accuracy (Temp. / Hum.): ±1°C / ±5%
 Battery: 1x1.5 volts AAA
 Battery life: 10.000 hours
 Dimensions: 20x100x110mm
 Weight: 170g

MATERIALS

Housing: ABS plastic Display: LCD Dual

Application:

- Control
- Storage
- Cold chambers
- Greenhouse
- Domestic use



*Temperature only calibration

Therma-Hygrometer with Max / Min & alarm functions

Therma-hygrometer with dual LCD displays the current indoor temperature and humidity. It records minimum and maximum that can activate the audible alarm. It also incorporates a foldable stand for flat surfaces and a slot for hanging on the wall. The alarm is activated when the external probe temperature goes under 0°C, this feature is ideal to warn of freeze danger in sectors such as horticulture and the like. Each unit is supplied with a probe with a 3-meter PVC wire that can be mounted onto any wall using the suction pad

STANDARD PARAMETERS

Sensor element (Temperature / Humidity): Thermistor / Capacitor
 Measuring range internal sensor: 0 to 49.9°C
 Measuring range external probe (Temp. / Hum.): -49.9 to 69.9°C / 20 to 99%rh
 Scale (Temp. / Hum.): Celsius-Fahrenheit (°C/F) / Relative humidity
 Resolution (Temp. / Hum.): 0.1°C / 1%
 Accuracy (Temp. / Hum.): ±1°C / ±5%
 Battery: 1x1.5 volts AAA
 Battery life: 10.000 hours
 Dimensions: 20x65x97mm
 Weight: 78g

MATERIALS

Housing: ABS plastic Display: LCD Dual

Application:

- Control
- Storage
- Cold chambers
- Greenhouse
- Domestic use



*Temperature only calibration



Reference: 810-155

ING1.0



Therma-hygrometer

Max / Min Therma-Hygrometer for panel mounting

Therma-hygrometer with dual LCD display ideal for OEMs for installing into equipment, i.e. vivariums, egg hatcheries and similar. The instrument can be panel mounted via a minimum Ø33mm cutout, it incorporates a screw clamp with a maximum panel thickness of 7 mm.



Reference: 810-180

STANDARD PARAMETERS

Sensor element (Temperature / Humidity): / Capacitor
Measuring range (Temp. / Hum.): 0 to 49.9°C / 20 to 99%rh
Scale (Temp. / Hum.): Celsius-Fahrenheit (°C/F) / Relative humidity
Resolution (Temp. / Hum.): 0.1°C / 1%
Accuracy (Temp. / Hum.): ±1°C / ±5%
Battery: 1x 3 volts CR2032 lithium coin cell
Battery life: 5.000 hours
Dimensions: Ø50x41mm
Weight: 42g

MATERIALS

Housing: ABS plastic	Display: LCD Dual
----------------------	-------------------

Application:

- Control
- Storage
- Greenhouse
- Vivarium
- Egg hatcheries



*Temperature only calibration

Pen-shaped pocket therma-hygrometer

Easy to use pocket digital therma-hygrometer with dual LCD display that shows temperature and humidity readings simultaneously. It also records minimum and maximum temperatures. The instrument incorporates a clip on the back to hold it in any position.



Reference: 810-190

STANDARD PARAMETERS

Sensor element (Temperature / Humidity): Silicone bandgap / Capacitor
Measuring range (Temp. / Hum.): 0 to 49.9°C / 20 to 95%rh
Scale (Temp. / Hum.): Celsius-Fahrenheit (°C/F) / Relative humidity
Resolution (Temp. / Hum.): 0.1°C / 1%
Accuracy (Temp. / Hum.): ±1°C / ±5%
Battery: 1x1.5 volts AAA
Battery life: 6.000 hours
Dimensions: 20x23x138mm
Weight: 35g

MATERIALS

Housing: ABS plastic	Display: LCD Dual
----------------------	-------------------

Application:

- Control
- Storage
- Greenhouse



*Temperature only calibration

Therma-Hygrometer with Max / Min & alarm functions

Digital therma-hygrometer with dual LCD screen that simultaneously displays temperature and humidity readings. It records and displays maximum and minimum temperatures. It also includes an external probe with a 3 meter cable. The alarm is activated when the external probe temperature goes under 0°C, this feature is ideal to warn of freeze danger in sectors such as horticulture and the like. A rear folding stand allows for placement on flat surfaces.



Reference: 810-195

STANDARD PARAMETERS

Sensor element (Temperature / Humidity): Silicone bandgap / Capacitor
Measuring range internal sensor: 0 to 49.9 °C
Measuring range external probe (Temp. / Hum.): -49.9 to 69.9°C / 20 to 98%rh
Scale (Temp. / Hum.): Celsius-Fahrenheit (°C/F) / Relative humidity
Resolution (Temp. / Hum.): 0.1°C / 1%
Accuracy (Temp. / Hum.): ±1°C / ±5%
Battery: 1x1.5 volts AAA
Battery life: 10.000 hours
Dimensions: 18x41x76mm
Weight: 85g

MATERIALS

Housing: ABS plastic	Display: LCD Dual
----------------------	-------------------

Application:

- Control
- Storage
- Greenhouse



*Temperature only calibration



Infrared Thermometers

Infrared thermometer up to 380°C

Easy-to-use trigger thermometer, for temperature measurements in hazardous or inaccessible areas such as motors, electrical connections, kitchen surfaces and many other applications.



Reference: IT-380C

STANDARD PARAMETERS

Measuring range: -50 to 380°C	Scale: Celsius-Fahrenheit (°C/F)
Emissivity: 0.95	Field of view: 12:1
Resolution: 0.1°C	Working conditions: 0 to 40°C/ 10 to 95% HR
Battery: 1x 9 volts PP3 alkaline	Battery life: 2 years
Dimensions: 153x100x43mm	Weight: 148g
Accuracy: ±1.5°C (0 to 380°C) ±3°C (-50 to 0°C)	

MATERIALS

Housing: Plastic Display: LCD 9mm

Application:

- Laboratories
- Industrial



Infrared thermometer up to 500°C

Easy-to-use trigger thermometer, for temperature measurements in hazardous or inaccessible areas such as motors, electrical connections, kitchen surfaces and many other applications.



Reference: IT-500C

STANDARD PARAMETERS

Measuring range: -50 to 500°C	Scale: Celsius-Fahrenheit (°C/F)
Emissivity: 0.95	Field of view: 12:1
Resolution: 0.1°C	Working conditions: 0 to 40°C/ 10 to 95% HR
Battery: 1x 9 volts PP3 alkaline	Battery life: 2 years
Dimensions: 153x100x43mm	Weight: 148g
Accuracy: ±1.5°C (0 to 500°C) ±3°C (-50 to 0°C)	

MATERIALS

Housing: Plastic Display: LCD 9mm

Application:

- Laboratories
- Industrial furnaces
- Foundry



Infrared thermometer up to 900°C

High range easy-to-use trigger thermometer, for temperature measurements in hazardous or inaccessible areas such as motors, electrical connections, kitchen surfaces and many other applications.



Reference: IT-900C

STANDARD PARAMETERS

Measuring range: -50 to 900°C	Scale: Celsius-Fahrenheit (°C/F)
Emissivity: 0.95	Field of view: 12:1
Resolution: 0.1°C	Working conditions: 0 to 40°C/ 10 to 95% HR
Battery: 1x 9 volts PP3 alkaline	Battery life: 2 years
Dimensions: 175x100x49mm	Weight: 220g
Accuracy: ±1.5°C (0 to 900°C) ±3°C (-50 to 0°C)	

MATERIALS

Housing: Plastic Display: LCD 9mm

Application:

- Laboratories
- Industrial furnaces
- Foundry



Infrared thermometer up to 2200°C

High range easy-to-use trigger thermometer, for temperature measurements in hazardous or inaccessible areas such as motors, electrical connections. It includes power cord for long-term measurements. Wire connection to computer and software also included.

ING1.0



Reference: IT-2200C

STANDARD PARAMETERS

Measuring range: 200 to 2200°C	Scale: Celsius-Fahrenheit (°C/F)
Emissivity: Adjustable from 0.1 to 1	Field of view: 80:1
Resolution: 0.1°C	Working conditions: 0 to 40°C/ 10 to 80% HR
Battery: 1x 9 volts PP3 alkaline	Battery life: 3 years
Dimensions: 220x134x60mm	Weight: 480g
Accuracy: ±2°C (200 to 450°C) ±3°C (450 to 1100°C) ±4°C other	

MATERIALS

Housing: Plastic Display: LCD 9mm

Application:

- Laboratories
- Industrial furnaces
- Foundry





Raytemp 3 Infrared thermometer

Compact, lightweight and easy to use. Ideal for measuring temperatures while avoiding the need for contact. The backlit display shows the maximum temperature, it turns off after 15 seconds, maximizing battery life.

STANDARD PARAMETERS

Measuring range: -60 to 500°C	Scale: Celsius-Fahrenheit (°C/F)
Emissivity: 0.97	Field of view: 12:1
Resolution: 0.1°C (-9.9 to 199.9°C) or 1°C	Working conditions: 0 to 40°C/ 10 to 95% HR
Battery: 2x 1.5 volts AAA	Battery life: 140 hours (continuous use)
Dimensions: 40x66x155mm	Weight: 180g
Accuracy: ±1°C (0 to 65°C) other ±2% or ±2°C highest value	

MATERIALS

Housing: ABS plastic Display: LCD 9mm

Application:

- Laboratories
- Industrial
- Catering



Reference: 814-040



Raytemp 8 Infrared thermometer

Compact, lightweight and easy to use. Includes plug for type K thermocouple probes. It calculates the difference between minimum and maximum temperature and also the average. The backlit display turns off after 60 seconds, maximizing battery life.

STANDARD PARAMETERS

Measuring range infrared: -60 to 500°C	Scale: Celsius-Fahrenheit (°C/F)
Measuring range probe: -64 to 1370°C (probe not included)	
Accuracy IR: ±2°C or ±2% highest value	Accuracy probe: ±1°C or ±1% highest value
Emissivity: Adjustable from 0.1 to 1	Field of view: 12:1
Resolution: 0.1°C (-9.9 to 199.9°C) or 1°C	Working conditions: 0 to 40°C/ 10 to 95% HR
Battery: 2x 1.5 volts AAA	Battery life: 180 hours (continuous use)
Dimensions: 40x66x155mm	Weight: 185g

MATERIALS

Housing: ABS plastic Display: LCD 9mm

Application:

- Laboratories
- Industrial
- Catering



Reference: 814-045



Raytemp 38 Infrared thermometer

Professional instrument to measure small areas at large distances. With dual laser pointer for increased accuracy. The audible alarm can use programmable temperature monitorings. The backlit display shows maximum and minimum temperatures, difference between the two and average temperature; it turns off after 60 seconds, maximizing battery life.

STANDARD PARAMETERS

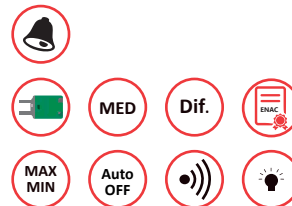
Measuring range: -59.9 to 999.9°C	Scale: Celsius-Fahrenheit (°C/F)
Measuring range probe: -64 to 1370°C (probe not included)	
Accuracy IR: ±2°C or ±2% highest value	Accuracy probe: ±1°C or ±1% highest value
Emissivity: Adjustable from 0.1 to 1	Field of view: 50:1
Resolution: 0.1°C	Working conditions: 0 to 40°C/ 10 to 95% HR
Battery: 2x 1.5 volts AAA	Battery life: 180 hours (continuous use)
Dimensions: 47x170x240mm	Weight: 395g

MATERIALS

Housing: ABS plastic Display: LCD 9mm

Application:

- Laboratories
- Industrial
- Catering



Reference: 814-038



Magnetic bracket for Raytemp 38

The magnetic support allows fastening instrument in any position on metal surfaces.

Reference: 814-050



Max / Min Thermometer

Thermometer digital room with large screen that simultaneously displays current temperature, maximum and minimum. Its design makes it ideal to place on all surfaces and in extreme environmental conditions.



Reference: 810-100

STANDARD PARAMETERS

Sensor element: Thermistor
 Measuring range: -49.9 to 69.9°C
 Scale: Celsius-Fahrenheit (°C/F)
 Resolution: 0.1°C
 Accuracy: ±1°C
 Battery: 1x 1.5 volts AAA
 Battery life: 4.000 hours
 Dimensions: 30x50x180mm
 Weight: 92g

MATERIALS

Housing: ABS plastic
 Display: LCD

Application:

- Cold chambers
- Storage
- Greenhouse
- Domestic use



Alarm Max / Min Thermometer with external probe

The thermometer features a large LCD display, max/min memory function to record the highest and lowest temperatures and an audible alarm. The unit incorporates two temperature sensors, a remote water resistant probe with one metre PVC lead for the appliance temperature and an internal sensor for the room temperature. The remote probe can be mounted onto the fridge internal wall using the suction pad or mounting bracket supplied.



Reference: 810-225

STANDARD PARAMETERS

Sensor element: Thermistor
 Measuring range: -49.9 to 69.9°C
 Scale: Celsius-Fahrenheit (°C/F)
 Resolution: 0.1°C
 Accuracy: ±1°C
 Battery: 1x 3 volts CR2032 lithium coin cell
 Battery life: 3.000 hours
 Dimensions: 16x50x82mm
 Weight: 50g

MATERIALS

Housing: ABS plastic
 Display: LCD

Application:

- Cold chambers
- Fridges
- Freezers



Alarm Max / Min Thermometer with external probe

The thermometer features a large LCD display, max/min memory function to record the highest and lowest temperatures and an audible alarm. The unit incorporates two temperature sensors, a remote water resistant probe with one metre PVC lead for the appliance temperature and an internal sensor for the room temperature. The remote probe can be mounted onto the fridge internal wall using the suction pad or mounting bracket supplied.



Reference: 810-210

STANDARD PARAMETERS

Sensor element: Thermistor
 Measuring range: -49.9 to 69.9°C
 Scale: Celsius-Fahrenheit (°C/F)
 Resolution: 0.1°C
 Accuracy: ±1°C
 Battery: 1x 1.5 volts AAA
 Battery life: 5.000 hours
 Dimensions: 15x52x73mm
 Weight: 48g

MATERIALS

Housing: ABS plastic
 Display: LCD

Application:

- Cold chambers
- Fridges
- Freezers



ING1.0



Alarm thermometers

Oven thermometer with timer and clock

This combined thermometer, clock, countdown timer displays both the actual and the alarm temperature over the range of 0 to 300°C and simultaneously the countdown or the actual time. It features magnetic pads at the rear to place it on any metallic surface. Each unit is supplied with a redduced tip stainless steel penetration probe with a 1-meter stainless steel braided lead.



STANDARD PARAMETERS

Sensor element: Thermistor
Measuring range: 0 to 300°C
Scale: Celsius-Fahrenheit (°C/F)
Resolution: ±1°C(0 to 130°C)/±3°C (131 to 300°C)
Accuracy: ±1°C(0 to 130°C)/±3°C (131 to 300°C)
Battery: 1x 1.5 volts AAA
Battery life: 5.000 hours
Dimensions: 18x73x125mm
Probe dimension: Ø4x150mm
Weight: 128g

Application:

- Oven

Reference: 810-060

MATERIALS

Housing: ABS plastic
Display: triple LCD



Indoor/Outdoor Alarm Thermometer with Max/Min function

This max/min alarm thermometer simultaneously displays the actual temperature whilst displaying the maximum and minimum temperatures.

This thermometer features a programmable hi/low temperature alarm that will sound when the pre-set limits have been exceeded, making this instrument ideal for monitoring growing cabinets.

Each unit is supplied with a probe with a 3-meter PVC wire and a useful foldaway stand and a keyhole slot for hanging on a wall.



STANDARD PARAMETERS

Sensor element: Thermistor
Measuring range: -49.9 to 69.9°C (probe) / 0 to 49.9°C (internal sensor)
Scale: Celsius-Fahrenheit (°C/F)
Resolution: 0.1°C
Accuracy: ±1°C
Battery: 1x 1.5 volts AAA
Battery life: 10.000 hours
Dimensions: 20x65x97mm
Weight: 88g

Application:

- Storage
- Cold chambers
- Domestic use
- Nutrient tanks
- Growing cabinets

Reference: 810-090

MATERIALS

Housing: ABS plastic
Display: LCD



Multi-function alarm catering thermometer

This multi-function digital thermometer is compact, easy to use and shows both the actual temperature and set alarm temperatures.

Each unit is supplied with a stainless steel penetration probe for food with a 1-meter PVC wire.



STANDARD PARAMETERS

Sensor element: Thermistor
Measuring range: -49.9 to 149.9°C
Scale: Celsius-Fahrenheit (°C/F)
Resolution: 0.1°C
Accuracy: ±1°C (-19.9 to 149.9°C)
Battery: 1x 1.5 volts AAA
Battery life: 5.000 hours
Dimensions: 32x86x116mm
Probe dimension: Ø3.5x125mm
Weight: 98g

Application:

- Storage
- Cold chambers
- Domestic use
- Catering

Reference: 810-961

MATERIALS

Housing: ABS plastic
Display: LCD



ING1.0





SuperFast Thermapen® 3

The SuperFast Thermapen 3 thermometer incorporates a large digital display with a precise read-out of temperature. The resolution can be switched to 1 °C, if required, via a switch in the battery compartment. The thermometer will power off automatically after ten minutes, maximising battery life. This feature can be disabled if not required. The SuperFast Thermapen® 3 thermometer incorporates a reduced tip, stainless steel, food penetration probe that conveniently folds back through 180 degrees into the side of the instrument when not in use.

The response time of any thermometer is dependant on many factors; the mass of the sensing tip, heat transfer and, most importantly, the state of the substance being measured. Tests show that the response time of this instrument is just 3 seconds.

Application:

• Catering

- Reference:
- 231-217
 - 231-227
 - 231-237
 - 231-247
 - 231-257

STANDARD PARAMETERS

Sensor element: K type thermocouple
Measuring range: -49.9 to 199.9°C
Scale: Celsius-Fahrenheit (°C/F)
Resolution: 0.1 or 1°C (programmable)
Accuracy: ±0.4°C (-49.9 y 199.9) other ±1°
Battery: 2 x 3 volts CR2032 lithium coin cell
Battery life: 1.500 hours
Dimensions: 19x47x153mm Probe dimension: Ø3.3x115mm
Weight: 97g

MATERIALS

Housing: Plastic with Biomaster
Display: 14.3mm LCD



SuperFast Thermapen® 4

The patented 360° self-rotating display can be used in any position, in either hand and is truly ambidextrous. The Thermapen 4 incorporates an intelligent backlit display sensing light levels, automatically turning the backlight on/off in varying light conditions. The motion-sensing sleep mode automatically turns the Thermapen 4 on/off when set down or picked up, maximising battery life. Measuring temperature over the range of -49.9 to 299.9 °C and used by hundreds of thousands of discerning cooks worldwide, it offers a combination of speed, accuracy and convenience of use.

The response time of any thermometer is dependant on many factors; the mass of the sensing tip, heat transfer and, most importantly, the state of the substance being measured. Tests show that the response time of this instrument is just 3 seconds.

Application:

• Catering

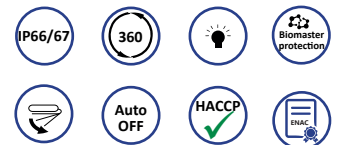
- Reference:
- 234-417
 - 231-427
 - 234-437
 - 234-447
 - 234-457
 - 234-407
 - 234-477
 - 234-487
 - 234-497
 - 234-507

STANDARD PARAMETERS

Sensor element: K type thermocouple
Measuring range: -49.9 to 299.9°C
Scale: Celsius-Fahrenheit (°C/F)
Resolution: 0.1 or 1°C (programmable)
Accuracy: ±0.4°C (-49.9 y 199.9) other ±1°
Battery: 1x 1.5volts AAA
Battery life: 3.000 hours
Dimensions: 19x50x157mm Probe dimension: Ø3.3x115mm
Weight: 120g

MATERIALS

Housing: Plastic with Biomaster
Display: 15mm LCD horizontal / 11mm LCD vertical



ING1.0





Reference:

231-210
Penetration: Ø3.3x108mm

231-212
Surface: Ø8x95mm

231-214
Air: Ø3.3x95mm

Thermapen® 3 with air, surface or penetration probe

Three probe models for different applications.

STANDARD PARAMETERS

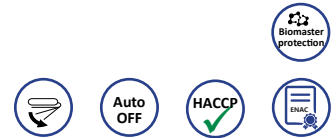
Sensor element: K type thermocouple
Measuring range: -49.9 to 299.9°C
Scale: Celsius-Fahrenheit (°C/F)
Resolution: 0.1 or 1°C (programmable)
Accuracy: ±0.4°C (-49.9 to 199.9°C) or ±1°
Battery: 2 x 3 volts CR2032 lithium coin cell
Battery life: 1.500 hours
Dimensions: 19x47x153mm
Weight: 97g

MATERIALS

Housing: Plastic with Biomaster
Display: 14.3mm LCD

Application:

- Air
- Surfaces
- Food



Thermapen® 3 PRO-SURFACE for surfaces

Specially designed to measure the temperature on surfaces such as grills, cooktops and stoves.



Reference: 231-279

STANDARD PARAMETERS

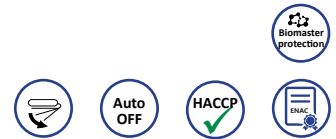
Sensor element: K type thermocouple
Measuring range: -49.9 to 299.9°C
Scale: Celsius-Fahrenheit (°C/F)
Resolution: 0.1 or 1°C (programmable)
Accuracy: ±0.4°C (-49.9 to 199.9°C) other ±1°
Battery: 2 x 3 volts CR2032 lithium coin cell
Battery life: 1.500 hours
Dimensions: 19x47x153mm
Weight: 100g

MATERIALS

Housing: Plastic with Biomaster
Display: 14.3mm LCD

Application:

- Surfaces
- Grills
- Cooktops



Thermapen® 3 SOUS VIDE for vacuum

Specially designed for vacuum cooking (sous vide), incorporates a small needle probe tip for precision measurement.



Reference: 231-011

STANDARD PARAMETERS

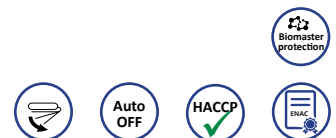
Sensor element: K type thermocouple
Measuring range: -49.9 to 299.9°C
Scale: Celsius-Fahrenheit (°C/F)
Resolution: 0.1 or 1°C (programmable)
Accuracy: ±0.4°C (-49.9 y 199.9) other ±1°
Battery: 2 x 3 volts CR2032 lithium coin cell
Battery life: 1.500 hours
nsiones: 19x50x157mm Probe dimension: Ø1.1x60mm
Weight: 97g

MATERIALS

Housing: Plastic with Biomaster
Display: 14.3mm LCD

Application:

- Vacuum





Pocket thermometer with Hold function

Portable thermometer with penetration stainless steel probe with dimensions Ø3.5x120mm. The instrument has a "Hold" button to keep a fixed temperature in display. Each unit includes a protective sheath with a pocket clip.

STANDARD PARAMETERS	
Sensor element:	Thermistor
Measuring range:	-49.9 to 299.9°C
Scale:	Celsius (°C)
Resolution:	0.1°C
Accuracy:	±1°C (-19.9 y 119.9) other ±2°C
Battery:	1x button cell 1.5 volts LR44
Battery life:	6.000 hours
Dimensions:	17x20x190mm
Weight:	28g

Application:

• General

Reference: Digital 9.3

MATERIALS	
Housing:	ABS plastic
Display:	LCD 6mm



Waterproof pocket thermometer

This thermometer is a handy pocket-sized thermometer. Include a reduced tip stainless steel probe that enables a quick reading of the temperature. It registers maximum and minimum temperatures. Each unit includes a protective sheath with a pocket clip.

STANDARD PARAMETERS	
Sensor element:	Thermistor
Measuring range:	-49.9 to 199.9°C
Scale:	Celsius-Fahrenheit (°C/F)
Resolution:	0.1°C/F
Accuracy:	±0.5°C (-9.9 y 99.9°C) other ±1°
Battery:	1x 3 volts CR2032 lithium coin cell
Battery life:	5.000 hours
Dimensions:	Ø41x17x175mm
Probe dimension:	Ø2.5x125mm
Weight:	22g

Application:

• Catering

Reference: 810-270

MATERIALS	
Housing:	ABS plastic
Display:	LCD 8.5mm



Dishwasher thermometer

It can be placed inside a dishwasher to ensure that maximum cycle temperature is correct. It can be used as a conventional food thermometer. The portable compact thermometer features a pointed stainless steel probe. Each unit includes a protective silicone boot and sheath with a pocket clip and a wall-mounting keyhole slot.

STANDARD PARAMETERS	
Sensor element:	Thermistor
Measuring range:	-49.9 to 199.9°C
Scale:	Celsius-Fahrenheit (°C/F)
Resolution:	0.1°C/F
Accuracy:	±0.5°C (-9.9 y 99.9°C) other ±1.5°
Battery:	1x 3 volts CR2032 lithium coin cell
Battery life:	5.000 hours
Dimensions:	20x26x200mm
Probe dimension:	Ø2.5x122mm
Weight:	25g

Application:

• Dishwasher
• Catering

Reference: 810-275

MATERIALS	
Housing:	ABS plastic
Display:	LCD 8mm



ING1.0



Pocket thermometer THERMALITE 1

This instrument will turn off automatically after 10 minutes, maximizing battery. The THERMALITE is equipped with a protective plastic cover that includes Biomaster, an additive that reduces bacterial growth. It is ideal for daily routine, food and catering applications. (HACCP compliant)



STANDARD PARAMETERS

Sensor element: Thermistor	
Measuring range: -39.9 to 149.9°C	
Scale: Celsius-Fahrenheit (°C/F)	
Resolution: 0.1°C	
Accuracy: ±0.5°C (-39.9 y 124.9) other ±1°	
Battery: 1x button cell 3 volts CR2032	
Battery life: 5.000 hours	
Dimensions: Ø29x196mm including probe	Probe dimensions: Ø3.3x80mm
Weight: 45g	

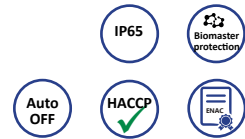
MATERIALS

Housing: ABS plastic with Biomaster
Display: LCD 10mm

- Reference:
- 226-101
 - 226-111
 - 226-121
 - 226-131
 - 226-141
 - 226-151

Application:

·Catering



Pocket thermometer with Cal Check function THERMALITE 2

This instrument will turn off automatically after 10 minutes, maximizing battery. The THERMALITE is equipped with a protective plastic cover that includes Biomaster, an additive that reduces bacterial growth. It is ideal for daily routine, food and catering applications.



(HACCP compliant). It also has a "Hold" button to keep a fixed temperature in display.

STANDARD PARAMETERS

Sensor element: Thermistor	
Measuring range: -39.9 to 149.9°C	
Scale: Celsius-Fahrenheit (°C/F)	
Resolution: 0.1°C	
Accuracy: ±0.5°C (-39.9 y 124.9) other ±1°	
Battery: 1x button cell 3 volts CR2032	
Battery life: 5.000 hours	
Dimensions: Ø29x196mm including probe	Probe dimensions: Ø3.3x80mm
Weight: 45g	

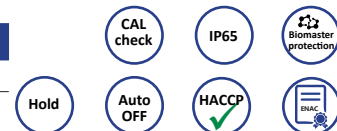
MATERIALS

Housing: ABS plastic with Biomaster
Display: LCD 10mm

- Reference:
- 226-102
 - 226-112
 - 226-122
 - 226-132
 - 226-142
 - 226-152

Application:

·Catering





Food thermometer CATERTEMP

Thermometer designed especially for professional chefs looking for a simple tool that allows them to meet the standards for food handling, it also has the "Hold" function that keeps any reading on-screen. It includes a stainless steel probe with a 1m polyurethane wire.

STANDARD PARAMETERS

Sensor element: K type thermocouple
Measuring range: -49.9 to 299.9°C
Scale: Celsius (°C)
Resolution: 0.1°C
Accuracy: ±0.4°C (-50 y 199°C) other ±1°
Battery: 3x 1.5 volts AAA
Battery life: 10.000 hours
Dimensions: 25x56x128mm
Probe dimension: Ø3.3x130mm
Wire: 1m coiled
Weight: 130g

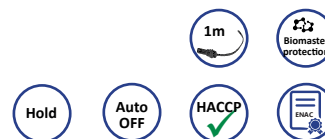
MATERIALS

Housing: ABS plastic with Biomaster	Wire: Polyurethane
Display: LCD 12mm	

Reference: 221-046

Application:

•Catering



Food thermometer THERMAMITE

Thermometer designed especially for professional chefs looking for a simple, accurate and inexpensive tool that allows them to meet the standard for food handling. It includes a stainless steel probe with a 500mm PVC wire.

STANDARD PARAMETERS

Sensor element: K type thermocouple
Measuring range: -50 to 300°C
Scale: Celsius (°C)
Resolution: 1°C
Accuracy: ±1°C ±1%
Battery: 3x 1.5 volts AAA
Battery life: 10.000 hours
Dimensions: 25x56x128mm
Probe dimension: Ø3.3x100mm
Wire: 0.5m
Weight: 130g

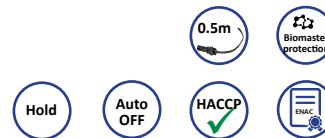
MATERIALS

Housing: ABS plastic with Biomaster	Wire: PVC
Display: LCD 12mm	

- Reference: 261-010
 261-020
 261-030
 261-040
 261-050

Application:

•Catering



Catering thermometer FOODCHECK

Thermometer designed especially for professional chefs looking for a simple, accurate and inexpensive tool that allows them to meet the standard for food handling. It includes a stainless steel probe with a 500mm PVC wire.

STANDARD PARAMETERS

Sensor element: K type thermocouple
Measuring range: -49.9 to 299.9°C
Scale: Celsius (°C)
Resolution: 0.1°C
Accuracy: ±0.4°C (-50 to 199°C) other ±1°
Battery: 3x 1.5 volts AAA
Battery life: 10.000 hours
Dimensions: 25x56x128mm
Probe dimension: Ø3.3x130mm
Wire: 0.5m
Weight: 130g

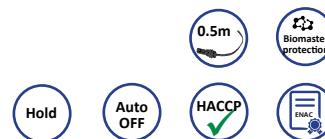
MATERIALS

Housing: ABS plastic with Biomaster	Wire: PVC
Display: LCD 12mm	

- Reference: 221-018
 221-028
 221-038
 221-048
 221-058

Application:

•Catering



ING1.0



Industrial thermometers with replaceable probe



Reference: 221-041

Industrial thermometer THERMA 1

Durable and easy to use instrument with a large LCD screen for easy reading. It can be combined with a wide variety thermocouple probe type K making it a versatile tool suitable for use in many industrial applications.

STANDARD PARAMETERS

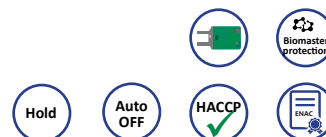
Sensor element: K type thermocouple
Measuring range: -99.9 to 1372°C
Scale: Celsius-Fahrenheit (°C/F)
Resolution: 0.1°C (-99.9 to 299.9°C) / 1°C (300 to 1372°C)
Accuracy: ±0.4°C ±0.1%
Battery: 3x 1.5 volts AAA
Battery life: 10.000 hours
Dimensions: 25x56x128mm Probe dimension: Probe not included
Weight: 130g

MATERIALS

Housing: ABS plastic with Biomaster
Display: LCD 12mm

Application:

-Industrial



Reference: 221-043

Industrial thermometer THERMA 3

Durable and easy to use instrument with a large LCD screen for easy reading. It can be combined with a wide variety thermocouple probe type K making it a versatile tool suitable for use in many industrial applications.

STANDARD PARAMETERS

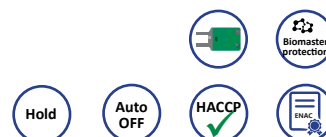
Sensor element: K type thermocouple
Measuring range: -100 to 1372°C
Scale: Celsius-Fahrenheit (°C/F)
Resolution: 1°C
Accuracy: ±1°C ±0.1%
Battery: 3x 1.5 volts AAA
Battery life: 10.000 hours
Dimensions: 25x56x128mm Probe dimension: Probe not included
Weight: 130g

MATERIALS

Housing: ABS plastic with Biomaster
Display: LCD 12mm

Application:

-Industrial



Reference: 221-061

Industrial thermometer THERMA ELITE

This instrument incorporates all the features of Therma 1 and 3 along with backlit display, max/min memory function and a mode switch button for selecting resolution (0.1-1) or scale (°C/°F).

The thermometer also incorporates a calibration adjustment function (± 2°C), which allows users to compensate for thermocouple probe errors.

STANDARD PARAMETERS

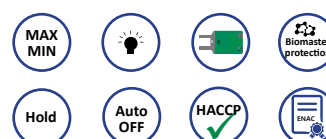
Sensor element: K type thermocouple
Measuring range: -99.9 to 1372°C
Scale: Celsius-Fahrenheit (°C/F)
Resolution: 0.1°C (-99.9 to 299.9°C) / 1°C (300 to 1372°C)
Accuracy: ±0.4°C ±0.1%
Battery: 3x 1.5 volts AAA
Battery life: 10.000 hours
Dimensions: 25x56x128mm Probe dimension: Probe not included
Weight: 130g

MATERIALS

Housing: ABS plastic with Biomaster
Display: LCD 12mm

Application:

-Industrial



High accuracy food thermometer THERMA 20 Series

Thermometer designed with the catering industry in mind, indicated for its use in processes requiring guarantees in safety and health. It can be used at low temperatures. The instrument can be combined with Lumberg connector NTC probes.



Therma 20

STANDARD PARAMETERS

Sensor element: Thermistor
Measuring range: -39.9 to 149.9°C
Scale: Celsius-Fahrenheit (°C/F)
Resolution: 0.1°C
Accuracy: ±0.4°(-10 to 70°C)
Battery: 3x 1.5 volts AAA
Battery life: 20.000 hours
Dimensions: 25x56x128mm
Probe dimension: Probe not included
Weight: 130g



Reference:
226-040

Application

- Food
- Catering

MATERIALS

Housing: ABS plastic with Biomaster
Display: LCD 12mm



Therma 20 plus

STANDARD PARAMETERS

Sensor element: Thermistor
Measuring range: -39.9 to 149.9°C
Scale: Celsius-Fahrenheit (°C/F)
Resolution: 0.1°C
Accuracy: ±0.4°(-10 to 70°C)
Battery: 3x 1.5 volts AAA
Battery life: 10.000 hours
Dimensions: 32x71x141mm
Probe dimension: Probe not included
Weight: 220g



Reference:
232-040

Application

- Food
- Catering

MATERIALS

Housing: ABS plastic with Biomaster
Display: LCD 15mm

High accuracy food thermometer THERMA 22 Series

Thermometer designed for the catering industry, this versatile instrument supports Lumberg connector NTC thermistor probes and T type thermocouples.



Therma 22

STANDARD PARAMETERS

Sensor: Thermistor / type T thermocouple
Thermistor range: -39.9 to 149.9°C
Type T t/c range: -199.9 to 400°C
Scale: Celsius(°C)
Resolution: 0.1°C to 300°C thereafter 1°C
Accuracy
Instrument only: ±0.2°C
T thermocouple: ±0.5°(-50 to 150°C)
Thermistor: ±0.4°(-10 to 70°C)



Reference:
227-022

Application

- Food
- Catering

Battery: 3x 1.5 volts AAA
Battery life T thermocouple: 10.000 hours
Battery life Thermistor: 20.000 hours
Dimensions: 25x56x128mm
Probe dimension: Probe not included
Weight: 130g

MATERIALS

Housing: ABS plastic with Biomaster
Display: LCD 12mm



Therma 22 plus

STANDARD PARAMETERS

Sensor: Thermistor / type T thermocouple
Thermistor range: -39.9 to 149.9°C
Type T t/c range: -199.9 to 400°C
Scale: Celsius (°C)
Resolution: 0.1°C (hasta 300°C) other 1°C
Accuracy
Instrument only: ±0.2°C
T thermocouple: ±0.5°(-50 to 150°C)
Thermistor: ±0.4°(-10 to 70°C)



Reference:
232-041

Application

- Food
- Catering

Battery: 3x 1.5 volts AAA
Battery life T thermocouple: 10.000 hours
Battery life Thermistor: 20.000 hours
Dimensions: 32x71x141mm
Probe dimension: Probe not included
Weight: 220g

MATERIALS

Housing: ABS plastic with Biomaster
Display: LCD 15mm

ING1.0



Reference: 222-213

High accuracy thermometer with fixed probe REFERENCE Thermapen 3

This version of the thermapen model is ideal for calibration of other instruments and probes. The thermometer turns off after 10 min of idleness, thus maximizing battery life (this feature can be disabled).

STANDARD PARAMETERS

Sensor element:	PT100
Measuring range:	-69.9 to 199.9°C
Scale:	Celsius-Fahrenheit (°C/F)
Resolution:	0.01°C
Accuracy:	±0.07°C (-30 to 149.9°C) other ±0.2°C
Battery:	2x 3 volts CR2032 lithium coin cell
Battery life:	1.000 hours
Dimensions:	19x47x153mm
Probe dimension:	∅3.3x108mm
Weight:	97g

MATERIALS

Housing:	ABS plastic with Biomaster
Display:	LCD 12mm

Application:

- Calibration
- Laboratories
- Industrial



Reference: 222-055

Calibration thermometer with fixed probe REFERENCE

Ideal for checks and inspections of other instruments or probes. Its wide temperature range and precision make it suitable for a large number of applications. It is supplied with a fixed PT100 probe with great accuracy.

STANDARD PARAMETERS

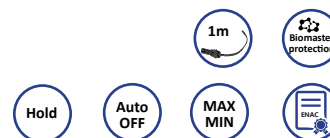
Sensor element:	PT100 1/10th DIN
Measuring range:	-199.9 to 199.9°C
Scale:	Celsius-Fahrenheit (°C/F)
Resolution:	0.01°C
Accuracy:	±0.05°C (-30 to 150°C) ±0.1°C (-50 to 200°C)
Battery:	3x 1.5 volts AAA
Battery life:	2.000 hours
Dimensions:	25x56x128mm
Probe dimension:	∅3.3x130mm
Wire:	1m
Weight:	210g

MATERIALS

Housing:	ABS plastic with Biomaster	Wire:	PVC
Display:	LCD 10mm		

Application:

- Calibration
- Laboratories
- Industrial



Accuracy thermometer with interchangeable probe PRECISION Series

Precision instruments with plug at the top for different probes. Given accuracy applies only to the instrument, not the probe.



Reference: 222-053

Precision

STANDARD PARAMETERS

Sensor element:	PT100
Measuring range:	-199.9 to 499.9°C
Scale:	Celsius-Fahrenheit (°C/F)
Resolution:	0.1°C
Accuracy:	±0.2°
Battery:	3x 1.5 volts AAA
Battery life:	2.000 hours
Dimensions:	25x56x128mm
Probe dimension:	Probe not included
Weight:	130g

MATERIALS

Housing:	ABS plastic with Biomaster
Display:	LCD 10mm



- #### Application:
- Laboratories
 - Industrial



Reference: 222-051

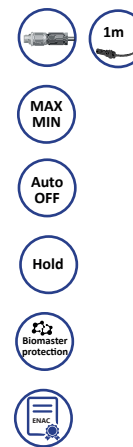
Precision Plus

STANDARD PARAMETERS

Sensor element:	PT100 1/10th DIN
Measuring range:	-199.9 to 199.9°C
Scale:	Celsius-Fahrenheit (°C/F)
Resolution:	0.01°C
Accuracy:	±0.05°
Battery:	3x 1.5 volts AAA
Battery life:	2.000 hours
Dimensions:	25x56x128mm
Probe dimension:	∅3.3x130mm
Wire:	1m
Weight:	130g

MATERIALS

Housing:	ABS plastic with Biomaster	Wire:	PVC
Display:	LCD 10mm		



- #### Application:
- Laboratories
 - Industrial





- Reference: ○ 221-071
 ○ 221-271
 ○ 221-371
 ○ 221-471
 ○ 221-571

Waterproof thermometer with replaceable probe THERMA PLUS

The thermometer is housed in a robust extruded aluminium waterproof case with a white anti-bacterial/salt resistant powder coated finish. The Therma Plus incorporates the latest microprocessor technology with improved durability, designed for reliability and ease of use in routine food processing and industrial applications.

STANDARD PARAMETERS

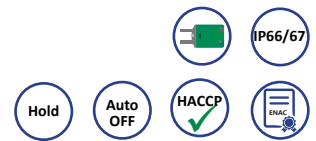
Sensor element: K type thermocouple
 Measuring range: -99.9 to 1372°C
 Scale: Celsius (°C)
 Resolution: 0.1 / 1°C auto-ranging @ 299.9°C
 Accuracy: ±0.4°C ±0.1% of reading
 Battery: 1x 9 volts PP3 alkaline
 Battery life: 5.000 hours
 Dimensions: 35x60x115mm Probe dimension: Probe not included
 Weight: 194g

MATERIALS

Housing: Extruded aluminium
 Display: LCD

Application:

- Laboratories
- Industrial



- Reference: ○ 221-056
 ○ 221-256
 ○ 221-356
 ○ 221-456
 ○ 221-556

Waterproof thermometer with fixed probe CATERTEMP PLUS

The thermometer is housed in a robust extruded aluminium waterproof case with a white anti-bacterial/salt resistant powder coated finish. The Catertemp Plus incorporates the latest microprocessor technology with improved durability, designed for reliability and ease of use in routine food processing and industrial applications.

STANDARD PARAMETERS

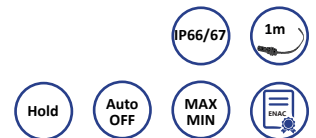
Sensor element: K type thermocouple
 Measuring range: -49.9 to 299.9°C
 Scale: Celsius (°C)
 Resolution: 0.1°C
 Accuracy: ±0.4°C ±1 digit
 Battery: 1x 9 volts PP3 alkaline
 Battery life: 5.000 hours
 Dimensions: 35x60x115mm Probe dimension: Ø3.3x130mm Wire: 1m coiled
 Weight: 244g

MATERIALS

Housing: Extruded aluminium Wire: Polyurethane
 Display: LCD

Application:

- Laboratories
- Industrial



Reference: 226-042

Catering thermometer with fixed probe THERMACHECK

Designed specifically for use in food processing industries and catering. Meets food handling standards and a high system. It includes a fixed stainless steel probe and a 1m polyurethane cable.

STANDARD PARAMETERS

Sensor element: Thermistor
 Measuring range: -39.9 to 149.9°C
 Scale: Celsius (°C)
 Resolution: 0.1°C
 Accuracy: ±0.4°C (-20 to 70°C)
 Battery: 3x 1.5 volts AAA
 Battery life: 20.000 hours
 Dimensions: 25x56x128mm Probe dimension: Ø3.3x130mm Wire: 1m coiled
 Weight: 220g

MATERIALS

Housing: ABS plastic with Biomaster Wire: Polyurethane
 Display: LCD 12mm

Application:

- Catering



CUJvfUjcb WfhZWHYg

The calibration process compares the output value of the instrument under calibration with a standard at different points of their scale, our standard consists in traceable patterns to ENAC (National accreditation entity).

During calibration the result of measuring instrument should be adjusted ,so that, it is put in accordance with the standard, to a specified accuracy. However, there are few instruments that can be adjusted until the perfect correspondence with the values given by the standards with which they are compared.

The results obtained are reported through our calibration certificate, which indicated a document identification code and detailed information about the instrument to calibrate, date, method of calibration, environmental conditions (temperature, humidity,...), the results and uncertainties obtained, and signature and accreditation of our laboratory.



Generally the calibration process is, in fact, comparison of an unknown value and a known one and the registration of the data obtained. Various reasons can lead to the need to calibrate an instrument:

- Realization of a new instrument calibration
- Expiration of the period of validity
- Depletion of certain volume of use (hours of work)
- Impacts or strong vibrations that descalibrate the instrument
- Whenever the observations obtained are questionable
- To comply with current regulations



We provide certificates for instruments of different :

- Certificates of 1 to 7 points
- Range for temperature - 30°C to 600°C
- Range for pressure - 1 to 600 bar
- Fast and flexible service.

Certificates to instruments not supplied by Gesa will require shipping the instrument to our facilities.
The usual deadline for issuing certificates is 5 days.





Gesa Termómetros, S.L.

Polígono Industrial Igeltzera

Pabellón D3

48610 Urduliz

Vizcaya, Spain



Distributed by:

info@termometros.com
www.termometros.com

Tel: +34 946 76 63 64